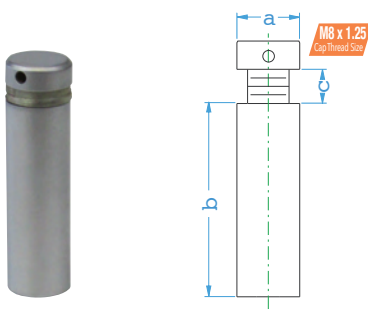


## 1/2" DIA THROUGH STANDOFFS (2-PART)



Part #	Diameter (a)	Length (b)	Panel Thickness (c)	Panel Hole Dia.	Mount Screw No.	Material Plating
<b>WSO12-1/2</b>	12mm (1/2")	12mm (1/2")	up to 3/16" max	3/8"	Require No. 6 Screw	SC, PC, SS or PB
<b>WSO12-3/4</b>	12mm (1/2")	19mm (3/4")	up to 1/4" max	3/8"	Require No. 6 Screw	SC, PC, SS or PB
<b>WSO12-1</b>	12mm (1/2")	25mm (1")	up to 5/16" max	3/8"	Require No. 6 Screw	SC, PC, SS or PB
<b>WSO12-1-1/2</b>	12mm (1/2")	38mm (1-1/2")	up to 5/16" max	3/8"	Require No. 6 Screw	SC, PC, SS or PB
<b>WSO12-2</b>	12mm (1/2")	50mm (2")	up to 3/8" max	3/8"	Require No. 6 Screw	SC, PC, SS or PB
<b>WSO12-3</b>	12mm (1/2")	76mm (3")	up to 3/8" max	3/8"	Require No. 6 Screw	SC, PC, SS or PB

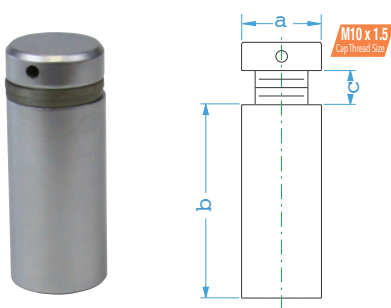
Finish: SC Satin Chrome, PC Polished Chrome, SS Satin Nickel, PB Polished Brass

Material: Brass C3604/CZ121 (CuZn39Pb3)

INCLUDES VINYL WASHERS. USE WITH TEMPERED GLASS, ACRYLIC, ETC.



## 3/4" DIA. THROUGH STANDOFFS (3-PART)



Part #	Diameter (a)	Length (b)	Panel Thickness (c)	Panel Hole Dia.	Mount Screw No.	Material Plating
<b>WSO20-1/2</b>	19mm (3/4")	12mm (1/2")	up to 3/16" max	7/16"	Require No. 8 Screw	SC, PC, SS or PB
<b>WSO20-3/4</b>	19mm (3/4")	19mm (3/4")	up to 1/4" max	7/16"	Require No. 8 Screw	SC, PC, SS or PB
<b>WSO20-1</b>	19mm (3/4")	25mm (1")	up to 1/2" max	7/16"	Require No. 8 Screw	SC, PC, SS or PB
<b>WSO20-1-1/2</b>	19mm (3/4")	38mm (1-1/2")	up to 1/2" max	7/16"	Require No. 8 Screw	SC, PC, SS or PB
<b>WSO20-2</b>	19mm (3/4")	50mm (2")	up to 1" max	7/16"	Require No. 8 Screw	SC, PC, SS or PB
<b>WSO20-3</b>	19mm (3/4")	76mm (3")	up to 1" max	7/16"	Require No. 8 Screw	SC, PC, SS or PB
<b>WSO20-4</b>	19mm (3/4")	102mm (4")	up to 1" max	7/16"	Require No. 8 Screw	SC, PC, SS or PB

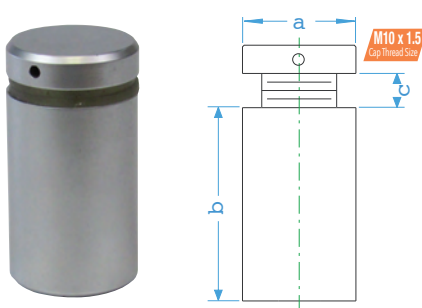
Finish: SC Satin Chrome, PC Polished Chrome, SS Satin Nickel, PB Polished Brass

Material: Brass C3604/CZ121 (CuZn39Pb3)

INCLUDES VINYL WASHERS. USE WITH TEMPERED GLASS, ACRYLIC, ETC.



## 1" DIA. THROUGH STANDOFFS (3-PART)

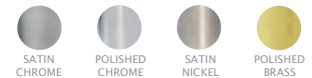


Part #	Diameter (a)	Length (b)	Panel Thickness (c)	Panel Hole Dia.	Mount Screw No.	Material Plating
<b>WSO25-1</b>	25mm (1")	25mm (1")	up to 1/2" max	7/16"	Require No. 8 Screw	SC, PC, SS or PB
<b>WSO25-1-1/2</b>	25mm (1")	38mm (1-1/2")	up to 1/2" max	7/16"	Require No. 8 Screw	SC, PC, SS or PB
<b>WSO25-2</b>	25mm (1")	50mm (2")	up to 1" max	7/16"	Require No. 8 Screw	SC, PC, SS or PB
<b>WSO25-3</b>	25mm (1")	76mm (3")	up to 1" max	7/16"	Require No. 8 Screw	SC, PC, SS or PB
<b>WSO25-4</b>	25mm (1")	102mm (4")	up to 1" max	7/16"	Require No. 8 Screw	SC, PC, SS or PB

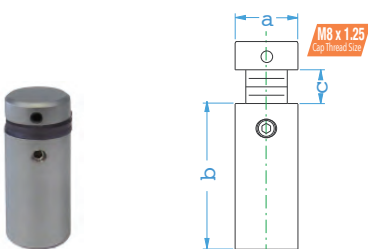
Finish: SC Satin Chrome, PC Polished Chrome, SS Satin Nickel, PB Polished Brass

Material: Brass C3604/CZ121 (CuZn39Pb3)

INCLUDES VINYL WASHERS. USE WITH TEMPERED GLASS, ACRYLIC, ETC.



## LOCKING THROUGH STANDOFF 1/2" DIA. X 1" LENGTH (2-PART)



Part #	Diameter (a)	Stud Length (b)	Panel Thickness (c)	Panel Hole Dia.	Cap Thread Size	Material Plating
<b>WSO12-1TP/SC</b>	12.5mm (1/2")	25mm (1")	up to 5/16" max	3/8"	M8 x 1.25	SC

Finish: SC Satin Chrome

Material: Brass C3604/CZ121 (CuZn39Pb3)

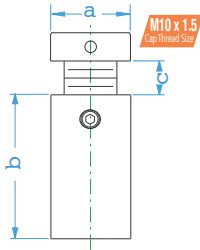
Allen Wrench: 2.0mm Metric

INCLUDES VINYL WASHERS. USE WITH TEMPERED GLASS, ACRYLIC, ETC.



\*\*\* THE FRACTIONAL INCH AND METRIC MEASUREMENTS ARE ROUNDED UP OR DOWN TO THE NEAREST VALUE

## LOCKING THROUGH STANDOFF 3/4" DIA. X 1" LENGTH (3-PART)

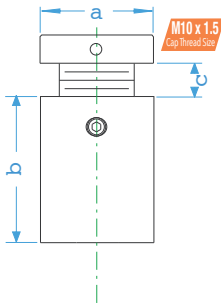


Part #	Diameter (a)	Length (b)	Panel Thickness (c)	Panel Hole Dia.	Mount Screw No.	Material Plating
<b>WSO20-1TP/SC</b>	20mm (3/4")	25mm (1")	up to 1/2" max	7/16"	Require No. 8 Screw	SC

Finish: SC Satin Chrome  
 Material: Brass C3604/CZ121 (CuZn39Pb3)  
 Allen Wrench: 2.0mm Metric  
 INCLUDES VINYL WASHERS. USE WITH TEMPERED GLASS, ACRYLIC, ETC.



## LOCKING THROUGH STANDOFF 1" DIA. X 1" LENGTH (3-PART)

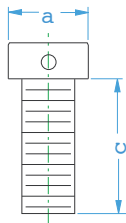


Part #	Diameter (a)	Length (b)	Panel Thickness (c)	Panel Hole Dia.	Mount Screw No.	Material Plating
<b>WSO25-1TP/SC</b>	25mm (1")	25mm (1")	up to 1/2" max	7/16"	Require No. 8 Screw	SC

Finish: SC Satin Chrome  
 Material: Brass C3604/CZ121 (CuZn39Pb3)  
 Allen Wrench: 2.0mm Metric  
 INCLUDES VINYL WASHERS. USE WITH TEMPERED GLASS, ACRYLIC, ETC.



## REPLACEMENT SCREW CAP WITH LONGER STUD



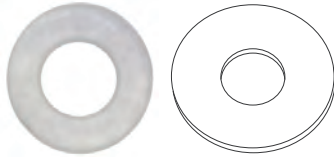
Part #	Diameter (a)	Stud Length (b)	Panel Thickness (c)	Panel Hole Dia.	Cap Thread Size	Material Plating
<b>SC-12 SC</b>	12mm (1/2")	22mm (7/8")	up to 5/8" max	3/8"	M8 x 1.25	SC
<b>SC-20 SC</b>	19mm (3/4")	32mm (1-1/4")	up to 1" max	7/16"	M10 x 1.5	SC

Finish: SC Satin Chrome  
 Material: Brass C3604/CZ121 (CuZn39Pb3)  
 INCLUDES VINYL WASHERS. USE WITH TEMPERED GLASS, ACRYLIC, ETC.



\*\*\* THE FRACTIONAL INCH AND METRIC MEASUREMENTS ARE ROUNDED UP OR DOWN TO THE NEAREST VALUE

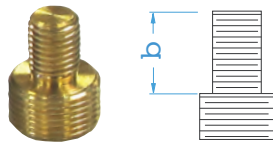
## REPLACEMENT VINYL WASHERS FOR STANDOFFS



Part #	Diameter (a)	Length (b)	Panel Thickness (c)	Panel Hole Dia.	Mount Screw No.	Finish Type
PWS-12	12mm (1/2")	N/A	N/A	3/8"	N/A	Clear Vinyl
PWS-19	19mm (3/4")	N/A	N/A	3/8"	N/A	Clear Vinyl
PWS-25	25mm (1")	N/A	N/A	7/16"	N/A	Clear Vinyl

Note: Use with tempered glass, acrylic, etc.

## SUPPORT JOINER/PANEL SPACER FOR 3/4" DIA. STANDOFFS



Part #	Diameter (a)	Stud Length (b)	Panel Thickness (c)	Panel Hole Dia.	Mount Screw No.	Finish Type
PCW-20*	N/A	25mm (1")	up to 5/8" max	3/8"	N/A	Unfinished Brass
PCW-25**	N/A	25mm (1")	up to 5/8" max	3/8"	N/A	Unfinished Brass

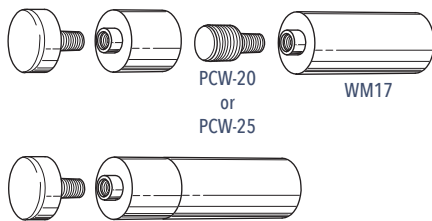
Note: Stud length: 1".

\*Use with WSO20-xxxx series brass standoffs to create a longer support or a double depth sign or panel

\*\*Use with WSO25-xxxx series brass standoffs to create a longer support or a double depth sign or panel

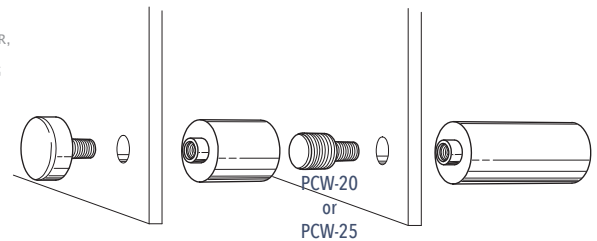
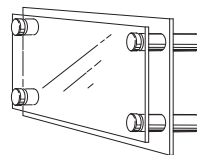
### Need a longer support?

JOIN TWO SUPPORTS TOGETHER USING PC31.



### Double Depth Panels...

MAKE A STRONG DESIGN STATEMENT BY USING ONE PANEL IN FRONT OF ANOTHER, THUS CREATING A DOUBLE DEPTH SIGN. THIS LOOK CAN BE ACHIEVED BY JOINING TWO SUPPORTS WITH THE PC31. THESE SUPPORTS CAN ACCOMMODATE PANELS UP TO 6MM THICK.



\*\*\* THE FRACTIONAL INCH AND METRIC MEASUREMENTS ARE ROUNDED UP OR DOWN TO THE NEAREST VALUE