

Panel Fixing - CG13-3 & CG23-3 Support Installation

- 1) Attach a clamp support to each corner of vertical panel at min. 1" distance from edge (fig 1).

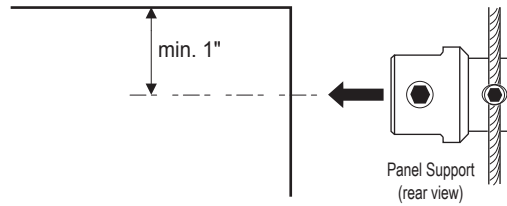
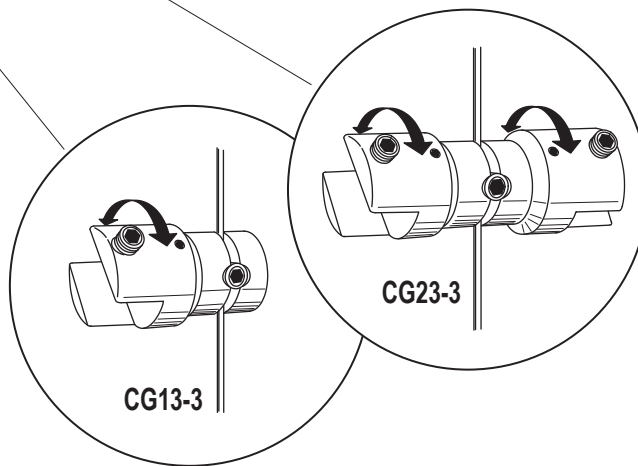


fig 1

- 2) Use additional clamp supports for panels taller than 60 inches to avoid bowing.
- 3) **Mark cable positions on floor area** - Measure the distance between cable centers, and mark cable positions on floor. With the use of a plumb line, mark and fix cables to ceiling (ensuring that fixings are secure).
- 4) Install cables as per "**Cable Fixing Instructions**" for **CA4-3** supplied.
- 5) Fix panels onto cables. Adjust panels vertically and horizontally, preferably with a spirit level. Repeat procedure for other panels.



INSTALLATION TIPS

