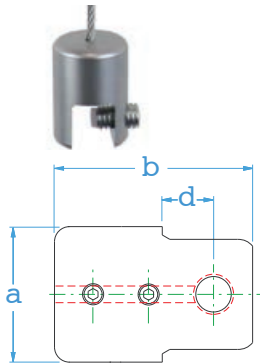


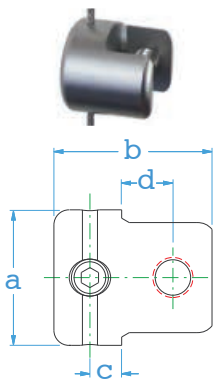
## TOP PANEL SUPPORTS



Part #	Diameter (a)	Length (b)	Cable Offset (c)	Screw Offset (d)	Panel Thickness (e)	Cable Diameter
<b>CG05</b>	16mm (5/8")	27mm (1-1/16")	N/A	7mm (1/4")	up to 7mm (1/4")	1.5mm (1/16")
<b>CG05-10</b>	19mm (3/4")	27mm (1-1/16")	N/A	7mm (1/4")	up to 10mm (3/8")	1.5mm (1/16")

Finish: Satin Chrome  
 Load Limit: 11.5kg (25lb) each. \*Subject to fixing  
 Allen Wrench: 1.5mm, 2.5mm Metric

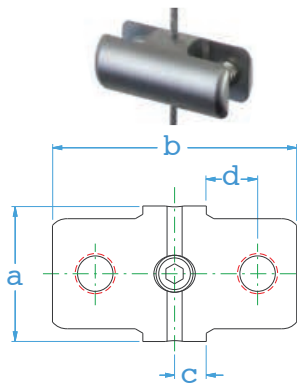
## SIDE PANEL SUPPORTS / SINGLE



Part #	Diameter (a)	Length (b)	Cable Offset (c)	Screw Offset (d)	Panel Thickness (e)	Cable Diameter
<b>CG01</b>	16mm (5/8")	20mm (25/32")	5mm (3/16")	6mm (15/64")	up to 7mm (1/4")	1.5mm (1/16")
<b>CG01-3</b>	16mm (5/8")	21mm (53/64")	5mm (3/16")	6mm (15/64")	up to 7mm (1/4")	3mm (1/8")
<b>CG03</b>	10mm (25/64")	15mm (19/32")	5mm (3/16")	6mm (15/64")	up to 4mm (5/32")	1.5mm (1/16")
<b>CG14</b>	20mm (25/32")	20mm (25/32")	5mm (3/16")	6mm (15/64")	up to 12.5mm (1/2")	1.5mm (1/16")
<b>CG14-3</b>	20mm (25/32")	21mm (53/64")	5mm (3/16")	6mm (15/64")	up to 12.5mm (1/2")	3mm (1/8")
<b>C1P-03</b>	18mm (45/64")	21mm (53/64")	5mm (3/16")	6mm (15/64")	up to 10mm (3/8")	1.5mm (1/16")
<b>C2P-01</b>	16mm (5/8")	21mm (53/64")	5mm (3/16")	6mm (15/64")	up to 7mm (1/4")	2mm (5/64")
<b>C2P-05</b>	21mm (53/64")	21mm (53/64")	5mm (3/16")	6mm (15/64")	up to 12.5mm (1/2")	2mm (5/64")

Finish: Satin Chrome  
 Load Limit: 11.5kg (25lb) each. \*Subject to fixing  
 Allen Wrench: 2.5mm Metric

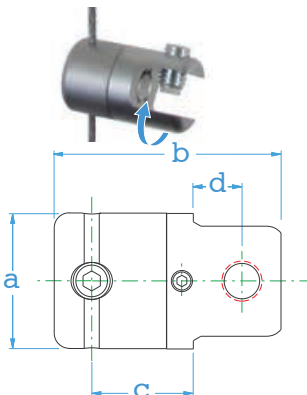
## SIDE PANEL SUPPORTS / DOUBLE



Part #	Diameter (a)	Length (b)	Cable Offset (c)	Screw Offset (d)	Panel Thickness (e)	Cable Diameter
<b>CG02</b>	16mm (5/8")	32mm (1-17/64")	5mm (3/16")	6mm (15/64")	up to 7mm (1/4")	1.5mm (1/16")
<b>CG02-3</b>	16mm (5/8")	33mm (1-19/64")	5mm (3/16")	6mm (15/64")	up to 7mm (1/4")	3mm (1/8")
<b>CG04</b>	10mm (25/64")	22mm (55/64")	5mm (3/16")	6mm (15/64")	up to 4mm (5/32")	1.5mm (1/16")
<b>C1P-04</b>	18mm (45/64")	21mm (53/64")	5mm (3/16")	6mm (15/64")	up to 10mm (3/8")	1.5mm (1/16")
<b>C2P-02</b>	16mm (5/8")	33mm (119/64")	5mm (3/16")	6mm (15/64")	up to 7mm (1/4")	2mm (5/64")

Finish: Satin Chrome  
 Load Limit: 11.5kg (25lb) each. \*Subject to fixing  
 Allen Wrench: 2.5mm Metric

## MULTI-POSITION PANEL/SHELF SUPPORT SINGLE



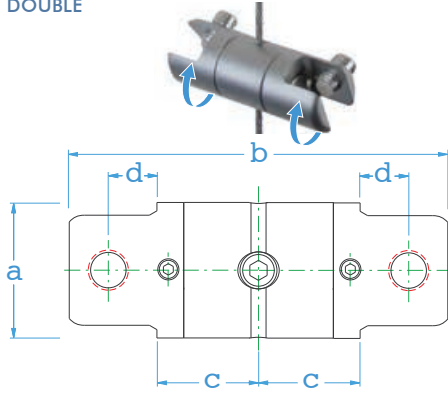
Part #	Diameter (a)	Length (b)	Cable Offset (c)	Screw Offset (d)	Panel Thickness (e)	Cable Diameter
<b>CG11*</b>	16mm (5/8")	27mm (1-1/16")	12.5mm (1/2")	6mm (15/64")	up to 7mm (1/4")	1.5mm (1/16")
<b>CG11-3*</b>	16mm (5/8")	28mm (1-7/64")	12.5mm (1/2")	6mm (15/64")	up to 7mm (1/4")	3mm (1/8")
<b>CG13*</b>	18mm (45/64")	27mm (1-1/16")	12.5mm (1/2")	6mm (15/64")	up to 10mm (3/8")	1.5mm (1/16")
<b>CG13-3*</b>	18mm (45/64")	28mm (1-7/64")	12.5mm (1/2")	6mm (15/64")	up to 10mm (3/8")	3mm (1/8")

\*Multi-Position Supports - Adjustable to any angle. Can be locked into position.

Finish: Satin Chrome  
 Load Limit: 11.5kg (25lb) subject to fixing  
 Allen Wrench: 1.5mm & 2.5mm Metric

\*The fractional inch and metric measurements are rounded up or down to the nearest value.

## MULTI-POSITION PANEL/SHELF SUPPORT DOUBLE

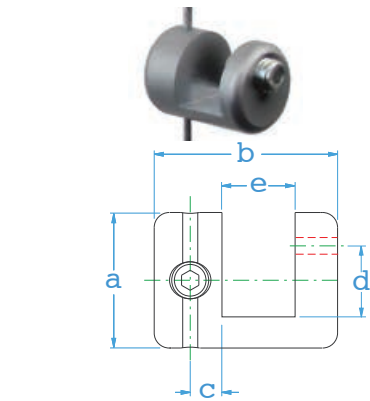


Part #	Diameter (a)	Length (b)	Cable Offset (c)	Screw Offset (d)	Panel Thickness (e)	Cable Diameter
CG21*	16mm (5/8")	46mm (1-13/16")	12.5mm (1/2")	6mm (15/64")	up to 7mm (1/4")	1.5mm (1/16")
CG21-3*	16mm (5/8")	46mm (1-13/16")	12.5mm (1/2")	6mm (15/64")	up to 7mm (1/4")	3mm (1/8")
CG23*	18mm (45/64")	46mm (1-13/16")	12.5mm (1/2")	6mm (15/64")	up to 10mm (3/8")	1.5mm (1/16")
CG23-3*	18mm (45/64")	46mm (1-13/16")	12.5mm (1/2")	6mm (15/64")	up to 10mm (3/8")	3mm (1/8")

\*Multi-Position Supports - Adjustable to any angle. Can be locked into position.

Finish: Satin Chrome  
 Load Limit: 11.5kg (25lb) each. \*Subject to fixing  
 Allen Wrench: 1.5mm, 2.5mm Metric

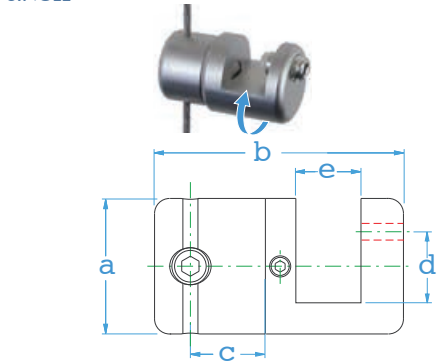
## TOP/BOTTOM PANEL SUPPORTS / SINGLE



Part #	Diameter (a)	Length (b)	Cable Offset (c)	Screw Offset (d)	Panel Thickness (e)	Cable Diameter
CG09	16mm (5/8")	22mm (55/64")	5mm (3/16")	6mm (15/64")	up to 7mm (1/4")	1.5mm (1/16")

Finish: Satin Chrome  
 Load Limit: 11.5kg (25lb) each. \*Subject to fixing  
 Allen Wrench: 2.5mm Metric

## MULTI-POSITION TOP/BOTTOM PANEL SUPPORTS SINGLE

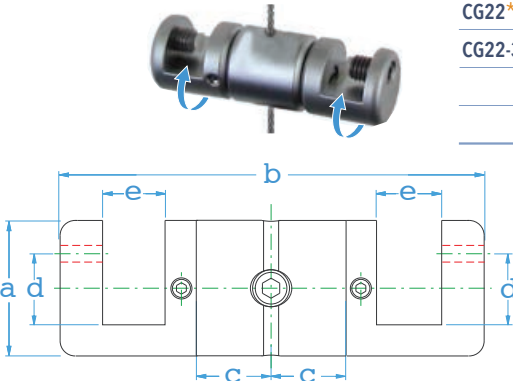


Part #	Diameter (a)	Length (b)	Cable Offset (c)	Screw Offset (d)	Panel Thickness (e)	Cable Diameter
CG12*	16mm (5/8")	30mm (1-3/16")	12.5mm (1/2")	6mm (15/64")	up to 7mm (1/4")	1.5mm (1/16")
CG12-3*	16mm (5/8")	31mm (1-7/32")	12.5mm (1/2")	6mm (15/64")	up to 7mm (1/4")	3mm (1/8")

\*Multi-Position Supports - Adjustable to any angle. Can be locked into position.

Finish: Satin Chrome  
 Load Limit: 11.5kg (25lb) each. \*Subject to fixing  
 Allen Wrench: 1.5mm, 2.5mm Metric

## MULTI-POSITION TOP/BOTTOM PANEL SUPPORTS DOUBLE



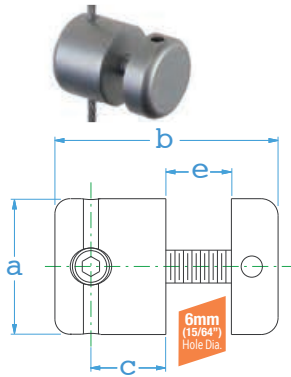
Part #	Diameter (a)	Length (b)	Cable Offset (c)	Screw Offset (d)	Panel Thickness (e)	Cable Diameter
CG22*	16mm (5/8")	46mm (1-13/16")	12.5mm (1/2")	6mm (15/64")	up to 7mm (1/4")	1.5mm (1/16")
CG22-3*	16mm (5/8")	52mm (2-3/64")	12.5mm (1/2")	6mm (15/64")	up to 7mm (1/4")	3mm (1/8")

\*Multi-Position Supports - Adjustable to any angle. Can be locked into position.

Finish: Satin Chrome  
 Load Limit: 11.5kg (25lb) each. \*Subject to fixing  
 Allen Wrench: 1.5mm, 2.5mm Metric

\*The fractional inch and metric measurements are rounded up or down to the nearest value.

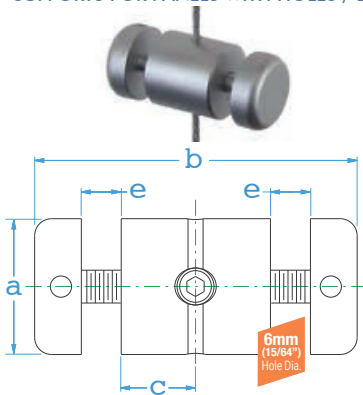
## SUPPORTS FOR PANELS WITH HOLES / SINGLE



Part #	Diameter (a)	Length (b)	Cable Offset (c)	Screw Offset (d)	Panel Thickness (e)	Cable Diameter
CS13	16mm (5/8")	24mm (15/16")	8mm (5/16")	N/A	up to 6mm (15/64")	1.5mm (1/16")
CS13/S <sup>3/8</sup>	16mm (5/8")	24mm (15/16")	8mm (5/16")	N/A	up to 10mm (3/8")	1.5mm (1/16")
CS13/S <sup>1/2</sup>	16mm (5/8")	24mm (15/16")	8mm (5/16")	N/A	up to 12.5mm (1/2")	1.5mm (1/16")
CS13-3	16mm (5/8")	24mm (15/16")	9mm (11/32")	N/A	up to 6mm (15/64")	3mm (1/8")
CS13-3/S <sup>3/8</sup>	16mm (5/8")	24mm (15/16")	9mm (11/32")	N/A	up to 10mm (3/8")	3mm (1/8")
CS13-3/S <sup>1/2</sup>	16mm (5/8")	24mm (15/16")	9mm (11/32")	N/A	up to 12.5mm (1/2")	3mm (1/8")
C2P-13	16mm (5/8")	25mm (1")	9mm (11/32")	N/A	up to 6mm (15/64")	2mm (5/64")
C2P-13/S <sup>3/8</sup>	16mm (5/8")	25mm (1")	9mm (11/32")	N/A	up to 10mm (3/8")	2mm (5/64")

Finish: Satin Chrome  
 Load Limit: 11.5kg (25lb) each. \*Subject to fixing  
 Allen Wrench: 2.5mm Metric

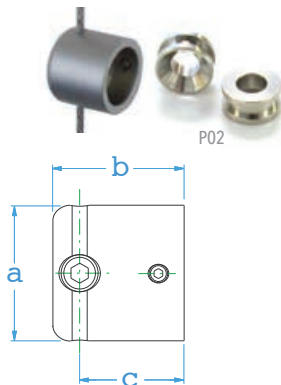
## SUPPORTS FOR PANELS WITH HOLES / DOUBLE



Part #	Diameter (a)	Length (b)	Cable Offset (c)	Screw Offset (d)	Panel Thickness (e)	Cable Diameter
CS23	16mm (5/8")	38mm (1-31/64")	8mm (5/16")	N/A	up to 6mm (15/64")	1.5mm (1/16")
CS23/S <sup>3/8</sup>	16mm (5/8")	38mm (1-31/64")	8mm (5/16")	N/A	up to 10mm (3/8")	1.5mm (1/16")
CS23/S <sup>1/2</sup>	16mm (5/8")	38mm (1-31/64")	8mm (5/16")	N/A	up to 12.5mm (1/2")	1.5mm (1/16")
CS23-3	16mm (5/8")	38mm (1-31/64")	9mm (11/32")	N/A	up to 6mm (15/64")	3mm (1/8")
CS23-3/S <sup>3/8</sup>	16mm (5/8")	38mm (1-31/64")	9mm (11/32")	N/A	up to 10mm (3/8")	3mm (1/8")
CS23-3/S <sup>1/2</sup>	16mm (5/8")	38mm (1-31/64")	9mm (11/32")	N/A	up to 12.5mm (1/2")	3mm (1/8")

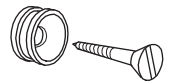
Finish: Satin Chrome  
 Load Limit: 11.5kg (25lb) each. \*Subject to fixing  
 Allen Wrench: 2.5mm Metric

## SUPPORT WITH PO2 BOSS / SINGLE



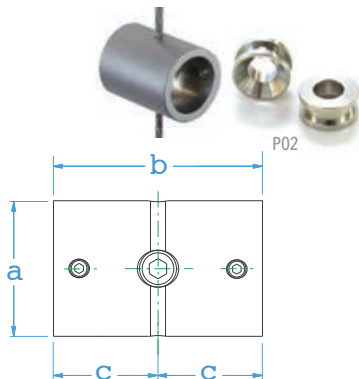
Part #	Diameter (a)	Length (b)	Cable Offset (c)	Screw Offset (d)	Panel Thickness (e)	Cable Diameter
CS03	16mm (5/8")	14mm (35/64")	10mm (3/8")	N/A	any item fit w/ PO2	1.5mm (1/16")
CS03-3	16mm (5/8")	14mm (35/64")	10mm (3/8")	N/A	any item fit w/ PO2	3mm (1/8")
PO2	12mm (15/32")	6mm (15/64")	N/A	N/A	N/A	N/A

Finish: Satin Chrome  
 Load Limit: 11.5kg (25lb) each. \*Subject to fixing  
 Allen Wrench: 1.5mm, 2.5mm Metric



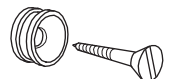
Secure PO2 with #10 countersunk wood screw or bolt.

## SUPPORTS WITH PO2 BOSS / DOUBLE



Part #	Diameter (a)	Length (b)	Cable Offset (c)	Screw Offset (d)	Panel Thickness (e)	Cable Diameter
CS04	16mm (5/8")	20mm (25/32")	10mm (3/8")	N/A	any item fit w/ PO2	1.5mm (1/16")
PO2	12mm (15/32")	6mm (15/64")	N/A	N/A	N/A	N/A

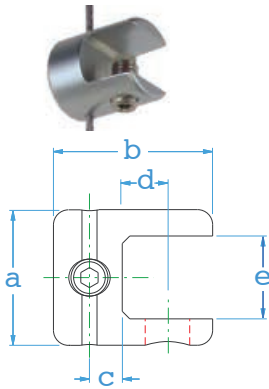
Finish: Satin Chrome  
 Load Limit: 11.5kg (25lb) each. \*Subject to fixing  
 Allen Wrench: 1.5mm, 2.5mm Metric



Secure PO2 with #10 countersunk wood screw or bolt.

\* The fractional inch and metric measurements are rounded up or down to the nearest value.

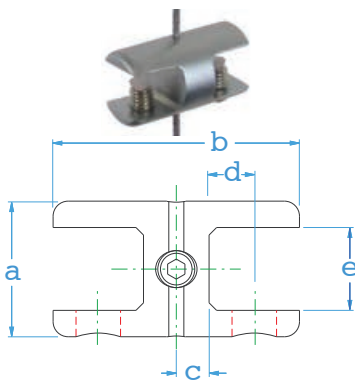
## SIDE SHELF SUPPORTS / SINGLE



Part #	Diameter (a)	Length (b)	Cable Offset (c)	Screw Offset (d)	Panel Thickness (e)	Cable Diameter
CG06	16mm (5/8")	20mm (25/32")	5mm (3/16")	6mm (15/64")	up to 7mm (1/4")	1.5mm (1/16")
C1S-03	18mm (45/64")	21mm (53/64")	5mm (3/16")	6mm (15/64")	up to 10mm (3/8")	1.5mm (1/16")
C2S-03	18mm (45/64")	21mm (53/64")	5mm (3/16")	6mm (15/64")	up to 10mm (3/8")	2mm (5/64")
C3S-03	18mm (45/64")	21mm (53/64")	5mm (3/16")	6mm (15/64")	up to 10mm (3/8")	3mm (1/8")
CG15	20mm (25/32")	20mm (25/32")	5mm (3/16")	6mm (15/64")	up to 12.5mm (1/2")	1.5mm (1/16")
C2S-05	21mm (53/64")	21mm (53/64")	5mm (3/16")	6mm (15/64")	up to 12.5mm (1/2")	2mm (5/64")
CG15-3	20mm (25/32")	21mm (53/64")	5mm (3/16")	6mm (15/64")	up to 12.5mm (1/2")	3mm (1/8")

Finish: Satin Chrome  
 Load Limit: 11.5kg (25lb) each. \*Subject to fixing  
 Allen Wrench: 2.5mm Metric

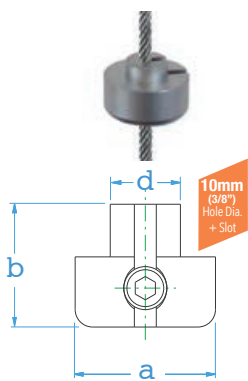
## SIDE SHELF SUPPORTS / DOUBLE



Part #	Diameter (a)	Length (b)	Cable Offset (c)	Screw Offset (d)	Panel Thickness (e)	Cable Diameter
CG07	16mm (5/8")	32mm (1-17/16")	5mm (3/16")	6mm (15/64")	up to 7mm (1/4")	1.5mm (1/16")
C1S-04	18mm (45/64")	33mm (1-19/64")	5mm (3/16")	6mm (15/64")	up to 10mm (3/8")	1.5mm (1/16")
C2S-04	18mm (45/64")	33mm (1-19/64")	5mm (3/16")	6mm (15/64")	up to 10mm (3/8")	2mm (5/64")
C3S-04	18mm (45/64")	33mm (1-19/64")	5mm (3/16")	6mm (15/64")	up to 10mm (3/8")	3mm (1/8")

Finish: Satin Chrome  
 Load Limit: 11.5kg (25lb) each. \*Subject to fixing  
 Allen Wrench: 2.5mm Metric

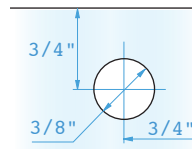
## SUPPORTS FOR DRILLED & SLOTTED SHELF



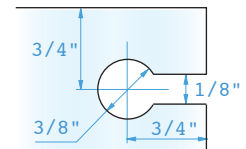
Part #	Diameter (a)	Depth (b)	Cable Offset (c)	Hole Dia. (d)	Panel Thickness (e)	Cable Diameter
CS01	16mm (5/8")	8mm (5/16")	N/A	10mm (3/8")	up to 25mm (1")	1.5mm (1/16")
C2S-01	16mm (5/8")	14mm (35/64")	N/A	10mm (3/8")	up to 25mm (1")	2mm (5/64")
C2S-02*	20mm (25/32")	22mm (55/64")	N/A	14mm (35/64")	6mm (15/64") to 12.5mm (1/2")	2mm (5/64")
CS01-3	16mm (5/8")	8mm (5/16")	N/A	10mm (3/8")	up to 25mm (1")	3mm (1/8")

Finish: Satin Chrome  
 Load Limit: 11.5kg (25lb) each. \*Subject to fixing  
 Allen Wrench: 2.5mm Metric

\*Locking Supports - Two piece fitting. Bottom stopper with a top cover.

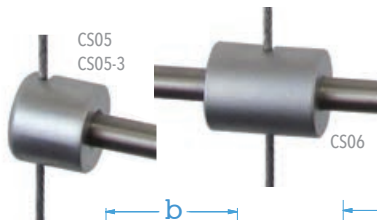


Glass Drilled Only  
(Non-Removable)



Glass Drilled & Slotted  
(Removable)

## SUPPORTS FOR 6MM ROD / SINGLE & DOUBLE

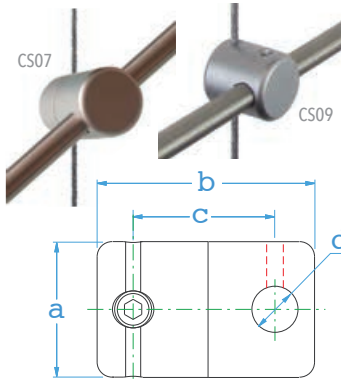


Part #	Diameter (a)	Length (b)	Cable Offset (c)	Rod Dia. Hold (d)	Panel Thickness (e)	Cable Diameter
CS05	16mm (5/8")	14mm (35/64")	10mm (3/8")	6mm (15/64")	N/A	1.5mm (1/16")
CS05-3	16mm (5/8")	14mm (35/64")	10mm (3/8")	6mm (15/64")	N/A	3mm (1/8")
CS06	16mm (5/8")	20mm (25/32")	10mm (3/8")	6mm (15/64")	N/A	1.5mm (1/16")

Finish: Satin Chrome  
 Load Limit: 11.5kg (25lb) each. \*Subject to fixing  
 Allen Wrench: 1.5mm, 2.5mm Metric

\*The fractional inch and metric measurements are rounded up or down to the nearest value.

## SUPPORTS FOR 6MM ROD

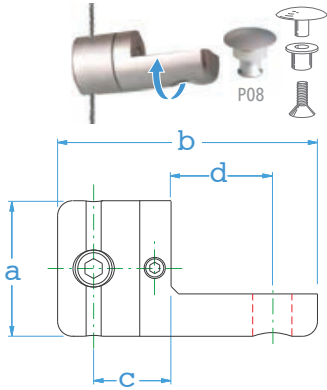


Part #	Diameter (a)	Length (b)	Cable Offset (c)	Rod Dia. Hold (d)	Panel Thickness (e)	Cable Diameter
CS07*	16mm (5/8")	28mm (1-7/64")	14mm (35/64")	6mm (15/64")	N/A	1.5mm (1/16")
CS09	16mm (5/8")	17mm (43/64")	8mm (5/16")	6mm (15/64")	N/A	1.5mm (1/16")

\*Multi-Position Supports - Adjustable to any angle. Can be locked into position.

Finish: Satin Chrome  
 Load Limit: 11.5kg (25lb) each. \*Subject to fixing  
 Allen Wrench: 1.5mm, 2.5mm Metric

## SUPPORTS FOR WOODEN OR GLASS SHELVES SINGLE

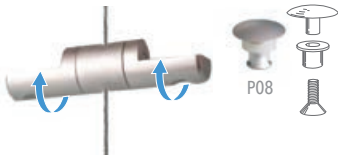


Part #	Diameter (a)	Length (b)	Cable Offset (c)	Screw Offset (d)	Panel Thickness (e)	Cable Diameter
CS11*	16mm (5/8")	36mm (1-27/64")	12.5mm (1/2")	11mm (27/64")	6mm (15/64")	1.5mm (1/16")
CS11-3*	16mm (5/8")	37mm (1-29/64")	12.5mm (1/2")	11mm (27/64")	6mm (15/64")	3mm (1/8")
					(for glass shelves w/ P08)	

\*Multi-Position Supports - Adjustable to any angle. Can be locked into position.

Finish: Satin Chrome  
 Load Limit: 11.5kg (25lb) each. \*Subject to fixing  
 Allen Wrench: 1.5mm, 2.5mm Metric

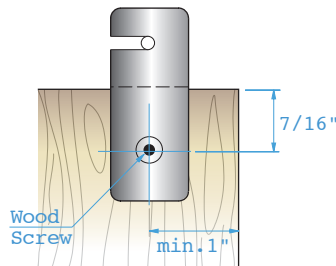
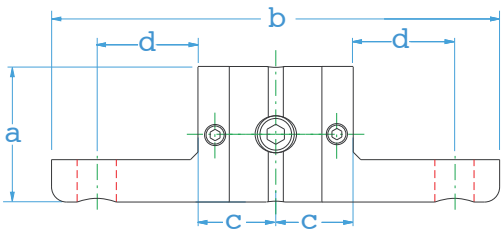
## SUPPORTS FOR WOODEN OR GLASS SHELVES DOUBLE



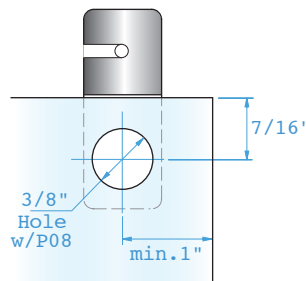
Part #	Diameter (a)	Length (b)	Cable Offset (c)	Screw Offset (d)	Panel Thickness (e)	Cable Diameter
CS21*	16mm (5/8")	64mm (2-33/64")	12.5mm (1/2")	11mm (27/64")	6mm (15/64")	1.5mm (1/16")
CS21-3*	16mm (5/8")	64mm (2-33/64")	12.5mm (1/2")	11mm (27/64")	6mm (15/64")	3mm (1/8")
					(for glass shelves w/ P08)	

\*Multi-Position Supports - Adjustable to any angle. Can be locked into position.

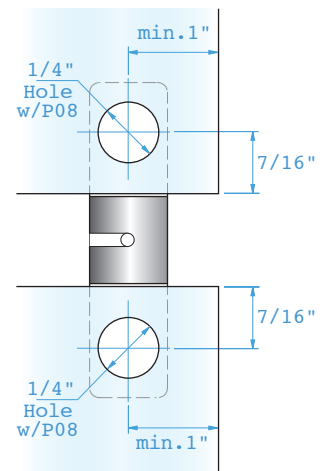
Finish: Satin Chrome  
 Load Limit: 11.5kg (25lb) each. \*Subject to fixing  
 Allen Wrench: 1.5mm, 2.5mm Metric



**Wooden Shelf Fixing**  
 CS11 Support + Screw

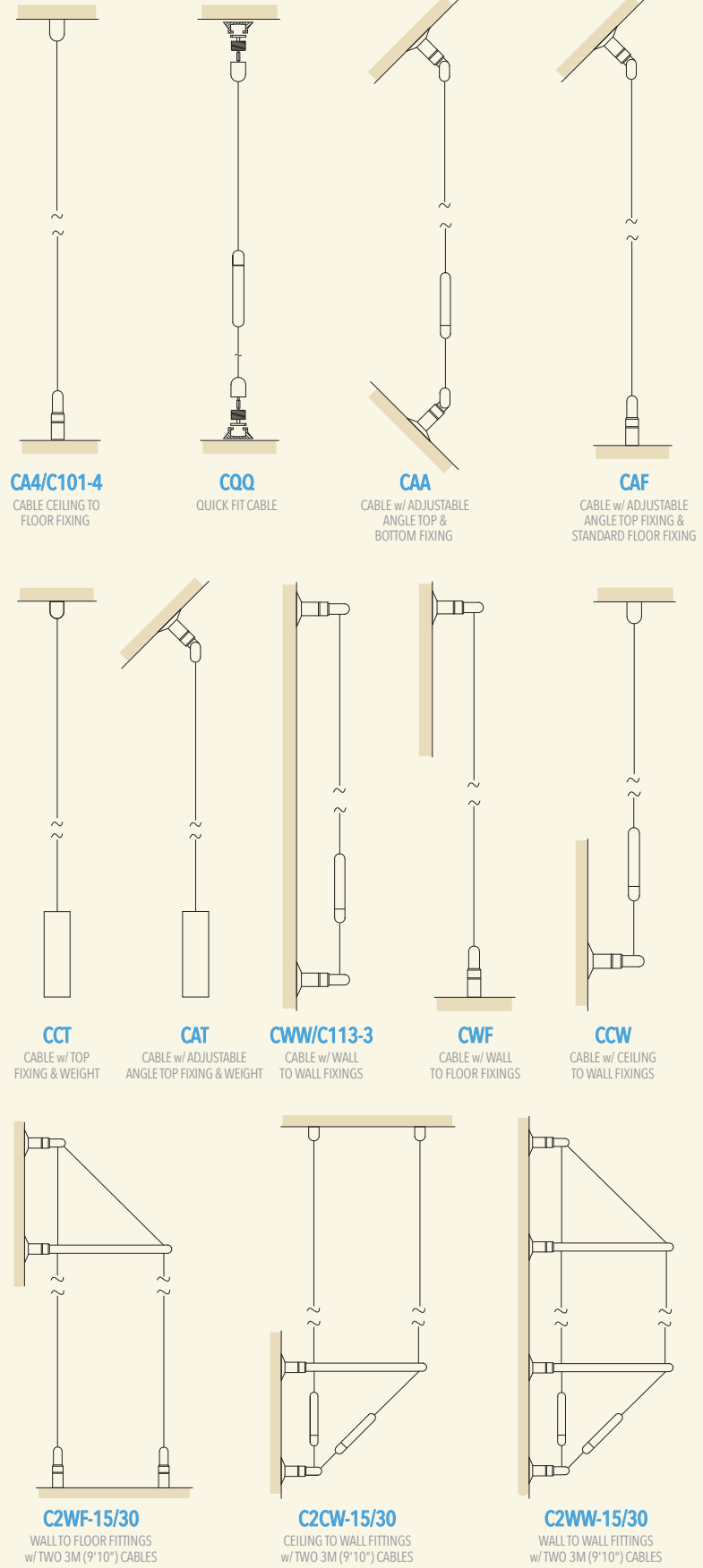
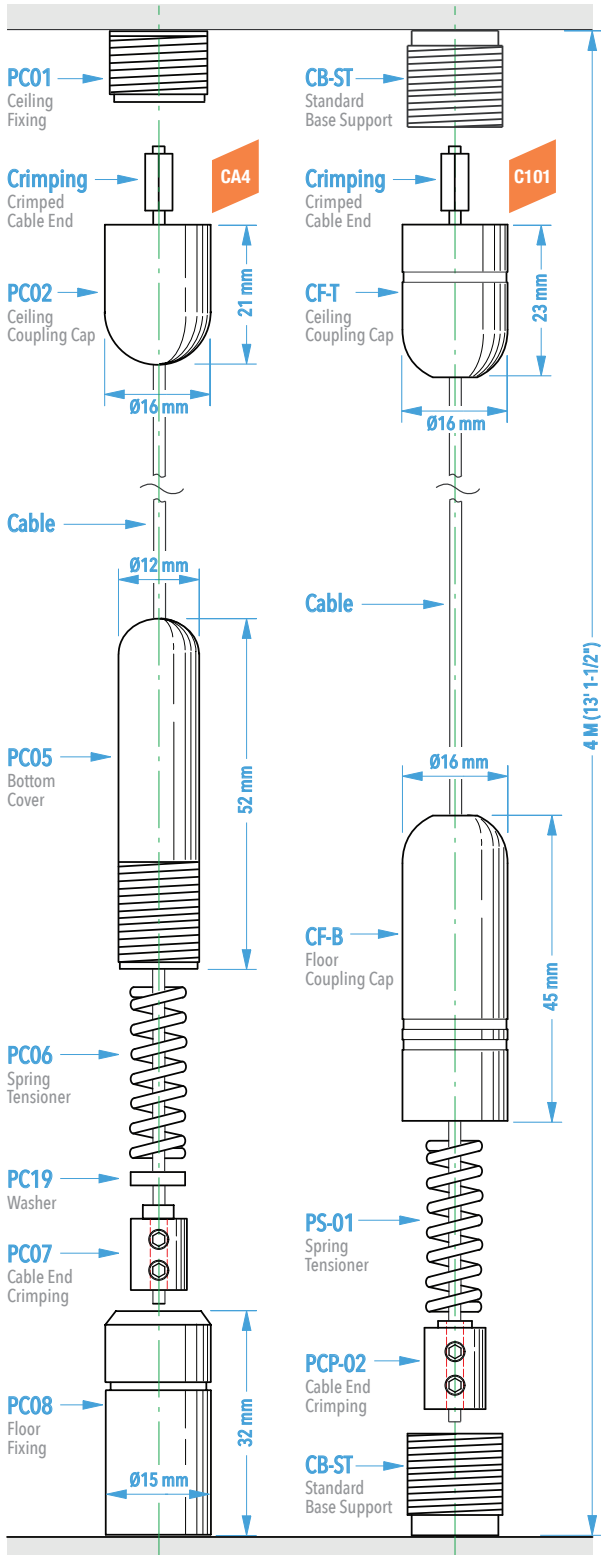


**Glass Shelf Fixing**  
 CS11 Support + P08 Screw (Drilled Shelf)



**Glass Shelf Fixing**  
 CS21 Support + P08 Screw (Drilled Shelf)

\*The fractional inch and metric measurements are rounded up or down to the nearest value.



Part #	Cable Diameter	Cable Length	Description
CA4*	1.5mm (1/16")	4M (13' 1-1/2")	Standard Cable Set
CA4-3*	3mm (1/8")	4M (13' 1-1/2")	Standard Cable Set
C101-4	1.5mm (1/16")	4M (13' 1-1/2")	Cable Set w/Compact Fixings
C201-4	2mm (5/64")	4M (13' 1-1/2")	Cable Set w/Compact Fixings

\*Lit Cable Sets - Can be also used with low voltage lighting or LED Displays.