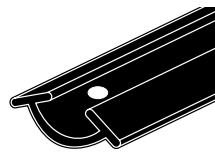
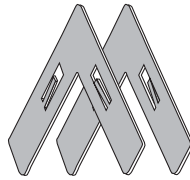


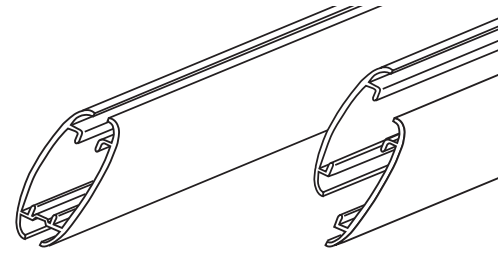
# Installation Guidelines



Spines with  
Pre-Drilled Holes



Corner Brackets



Single Rails

Split Rails

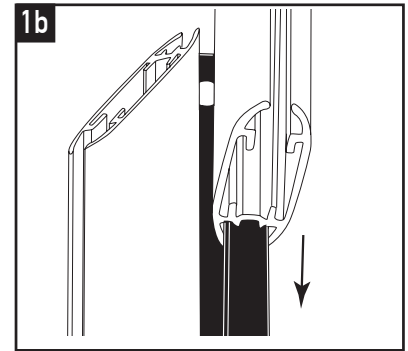
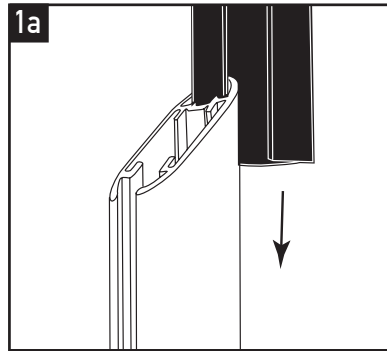
## Instructions for Assembly

### Note:

We recommend that two people assemble this AnoSkybox.

### Step 1a

Slide spine into vertical rail.

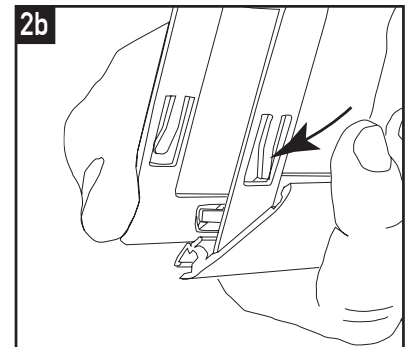
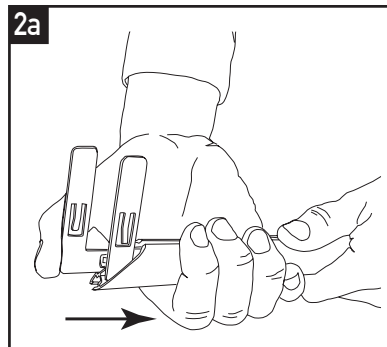


### Step 1b

Slide another vertical rail onto the other edge of spine. Repeat for all vertical rails and spines.

### Step 2

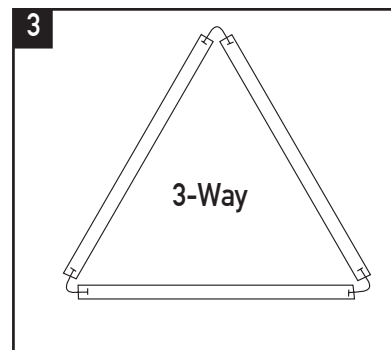
Carefully insert corner brackets into ends of bottom rails, using thumb as shown in illustration. Two brackets per end of each rail. Bracket can bend if forced.



**Detail:** It is important that the corner bracket tension tab faces toward outside of frame. (2b)

### Step 3

Lay out the bottom rails on the floor as they will be configured.



## Step 4

Assemble the vertical rail assemblies onto the upward facing corner brackets already inserted into the bottom rails. All four brackets should go into the vertical rails at one time.

**Note:** Insert end of spine without the predrilled holes. Holes should remain at the top of the AnoSkybox for hanging.

## Step 5

Insert corner brackets into ends of split rails, 1 per end. Use thumb as shown in illustration.

## Step 6

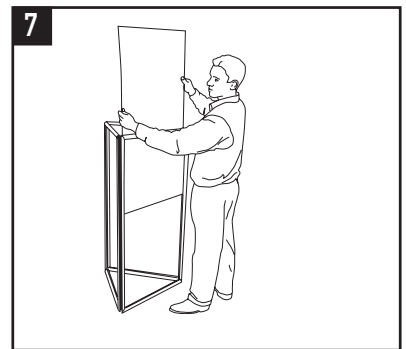
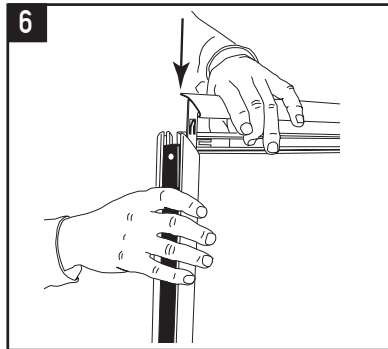
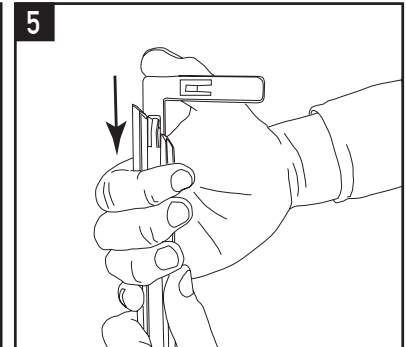
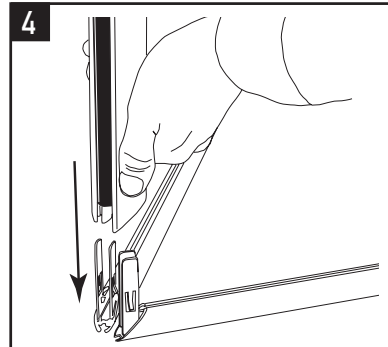
Assemble split rails onto top ends of vertical rails, one inside and one outside of each side of the AnoSkybox.

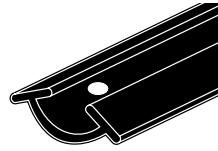
## Step 7

Insert and change signs through top of each side.

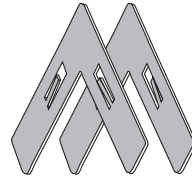
## Step 8

Hang the completed assembly.

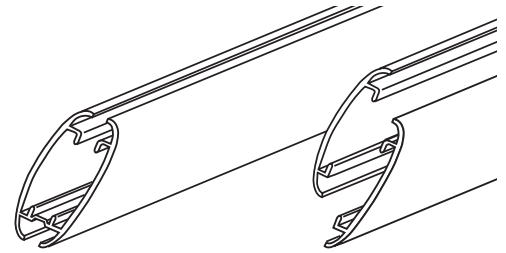




Spines with  
Pre-Drilled Holes



Corner Brackets



Single Rails

Split Rails

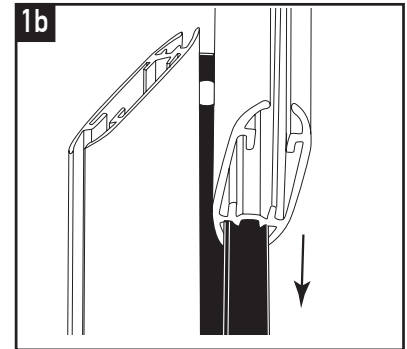
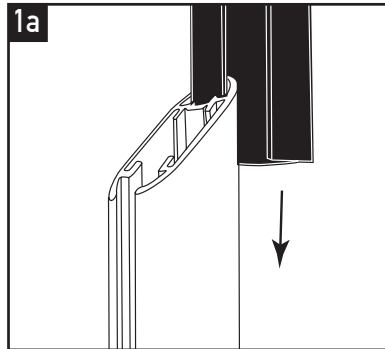
## Instructions for Assembly

### Note:

We recommend that two people assemble this AnoSkybox.

### Step 1a

Slide spine into vertical rail.

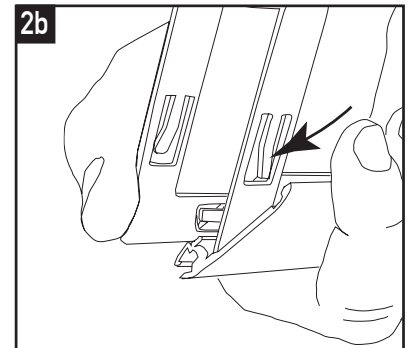
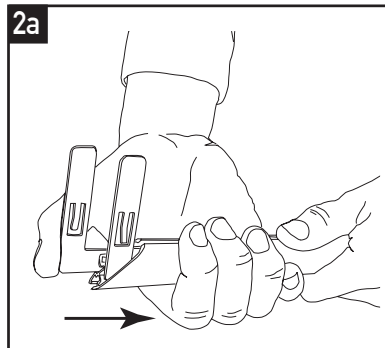


### Step 1b

Slide another vertical rail onto the other edge of spine. Repeat for all vertical rails and spines.

### Step 2

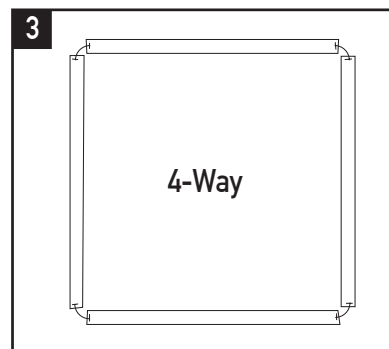
Carefully insert corner brackets into ends of bottom rails, using thumb as shown in illustration. Two brackets per end of each rail. Bracket can bend if forced.



**Detail:** It is important that the corner bracket tension tab faces toward outside of frame. (2b)

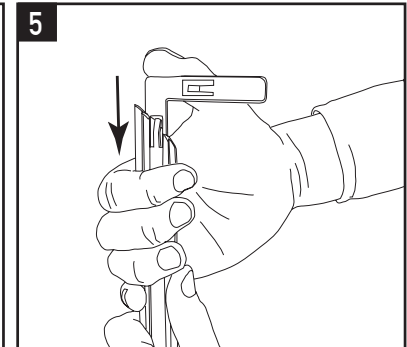
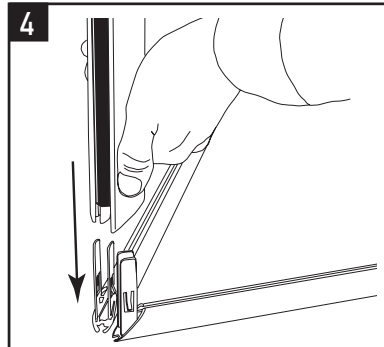
### Step 3

Lay out the bottom rails on the floor as they will be configured.



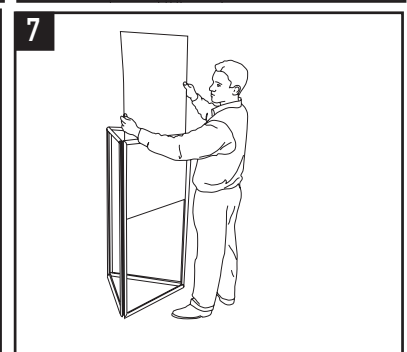
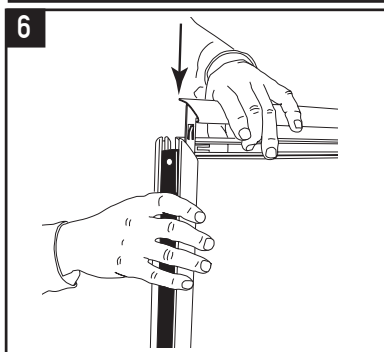
## Step 4

Assemble the vertical rail assemblies onto the upward facing corner brackets already inserted into the bottom rails. All four brackets should go into the vertical rails at one time.



## Step 5

Insert corner brackets into ends of split rails, 1 per end. Use thumb as shown in illustration.



## Step 6

Assemble split rails onto top ends of vertical rails, one inside and one outside of each side of the AnoSkybox.

## Step 7

Insert and change signs through top of each side.

## Step 8

Hang the completed assembly.

**Note:** Steps 7-9 illustrate a 3-Way AnoSkybox. Assembly is the same for a 4-Way.