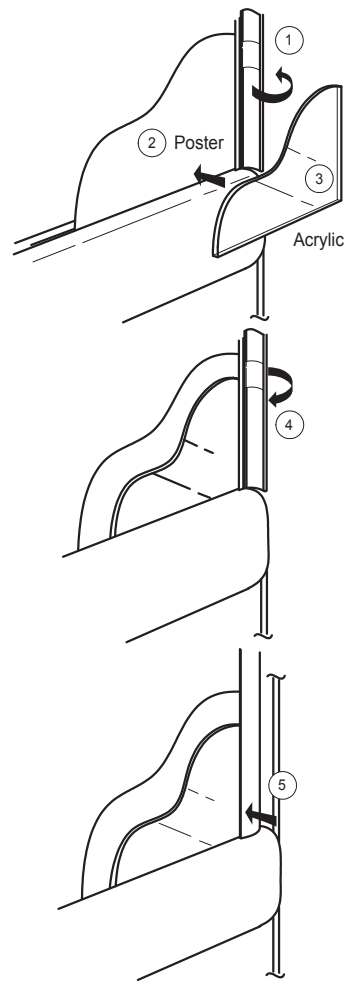
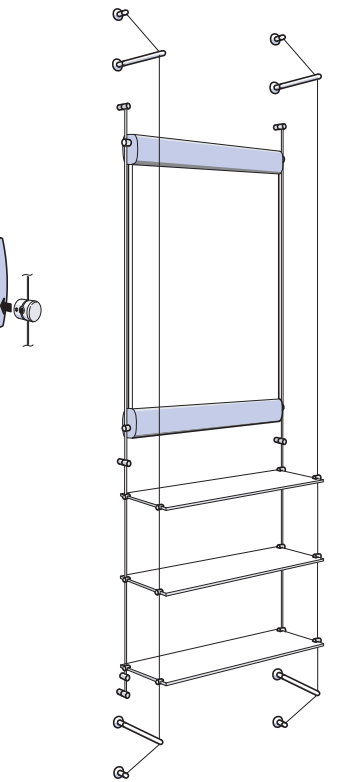
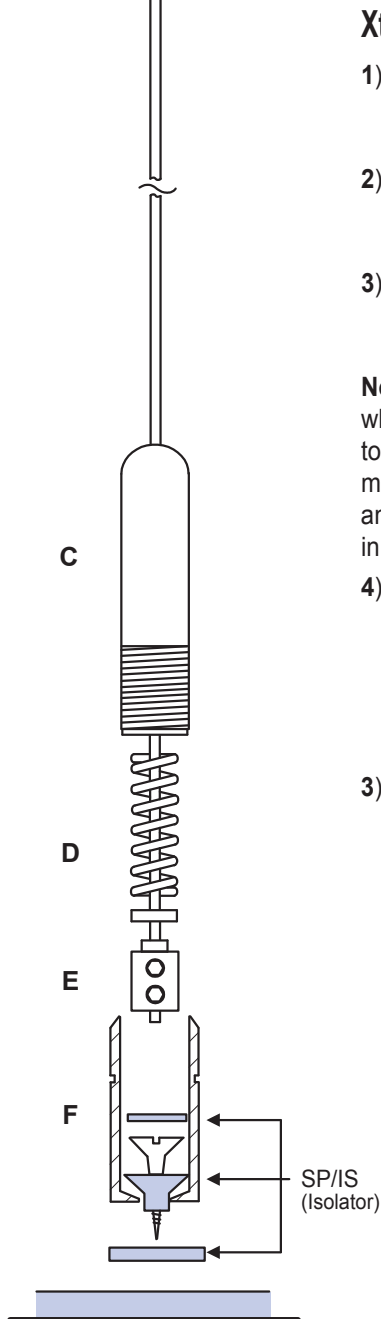


XtraLite - Transformer Installation

- 1) Install cables as per "**Cable Fixing Instructions**" for CA4 supplied. Once cables are installed, the XtraLite Display is ready to be attached to the cables.
- 2) The CS08's, pictured on top, should be mounted on the cables on the end where the transformer is to be connected. Each of the cable that is to carry the XtraLite on it needs a CS08.
- 3) The transformer is to be mounted no more than 6 feet away from display. Either the transformer can be mounted to the floor or ceiling; this is at the customer's discretion.

Note: VERY IMPORTANT - Make sure there is not metal around display which will connect the cables together. This could cause the transformer to short out. If the display is mounted on a metal surface, an isolator must be used on each cable. The transformer should be equipped with an internal 5amp quick blow breaker. If it is not, one should be installed in the positive current line between the transformer and cable.

- 4) The transformers may come equipped with a line cord, which may be plugged into the receptacle. You may hard wire the transformer directly to an electrical source. It is recommended that an electrician do this. The electrician will need to connect two output leads to the transformer, per the directions on the transformer. These leads are connected to the CS08's on the cables, as the picture indicates.
- 3) Once the transformer is connected to the CS08's, then the transformer may be connected to the power supply or the power supply may be turned on, if the transformer is already connected.



XtraLite - Poster Change

- 1) Snap open both side sections
Remove acrylic & old poster
- 2) Insert new poster
- 3) Insert acrylic & push flat
- 4) Close side sections
- 5) Closed position
- 6) Repeat procedure for other side

