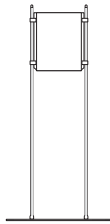
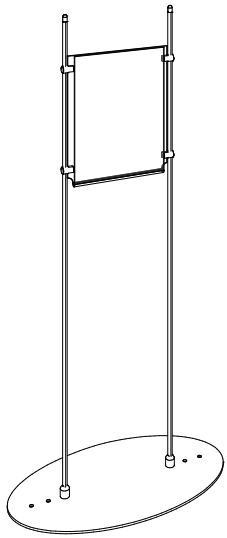


Totem Display Stands

HARDWARE LIST & SPECIFICATIONS for DISPLAY KITS KFRS-001 • KFRS-004



KFRS-001

HARDWARE:

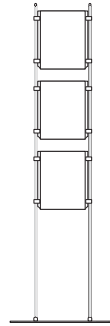
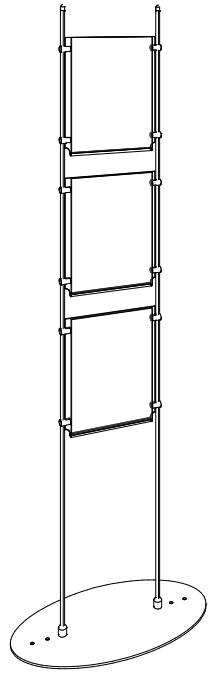
- RS-10 - Rod Support (2 ea)
- R1000-10 - 1.0m Rod (2 ea)
- REC-10 - End Cap for Rod (2 ea)
- RG01-10 - Panel Support Single (4 ea)
- ACS-625 OVAL - Oval Floor Base (1 ea)
- P12BS - Screw Set for Base (2 ea)

ACCESSORIES:

- 18EAAP-8511P - Acrylic Poster Holder (1 ea)
Insert Size: 8.5"W x 11"H

Stand Dimensions: 20"W x 41"H

Weight: 16 lbs



KFRS-002

HARDWARE:

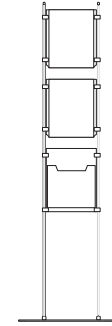
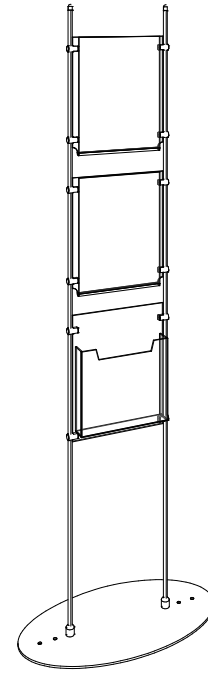
- RS-10 - Rod Support (2 ea)
- R1500-10 - 1.5m Rod (2 ea)
- REC-10 - End Cap for Rod (2 ea)
- RG01-10 - Panel Support Single (12 ea)
- ACS-625 OVAL - Oval Floor Base (1 ea)
- P12BS - Screw Set for Base (2 ea)

ACCESSORIES:

- 18EAAP-8511P - Acrylic Poster Holder (3 ea)
Insert Size: 8.5"W x 11"H

Stand Dimensions: 20"W x 60"H

Weight: 25.9 lbs



KFRS-003

HARDWARE:

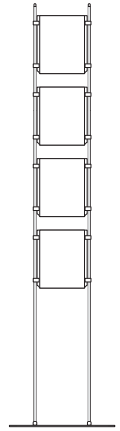
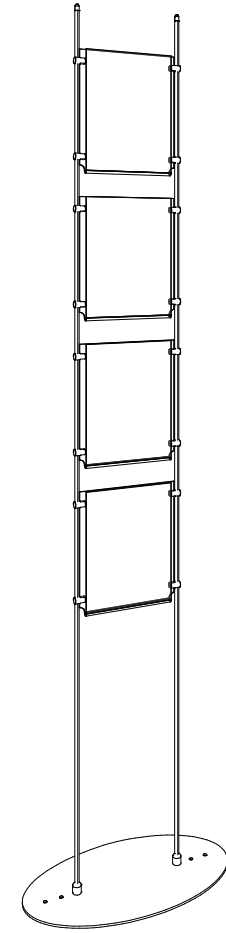
- RS-10 - Rod Support (2 ea)
- R1500-10 - 1.5m Rod (2 ea)
- REC-10 - End Cap for Rod (2 ea)
- RG01-10 - Panel Support Single (12 ea)
- ACS-625 OVAL - Oval Floor Base (1 ea)
- P12BS - Screw Set for Base (2 ea)

ACCESSORIES:

- 18EAAP-8511P - Acrylic Poster Holder (2 ea)
Insert Size: 8.5"W x 11"H
- 18ALD-8511P - Acrylic Dispenser (1 ea)
Insert Size: 8.5"W x 11"H (Letter Format)

Stand Dimensions: 20"W x 60"H

Weight: 27 lbs



KFRS-004

HARDWARE:

- RS-10 - Rod Support (2 ea)
- R1500-10 - 1.5m Rod (2 ea)
- R500-10 - 0.5m Rod (2 ea)
- REC-10 - End Cap for Rod (2 ea)
- RG01-10 - Panel Support Single (16 ea)
- ACS-625 OVAL - Oval Floor Base (1 ea)
- P12BS - Screw Set for Base (2 ea)

ACCESSORIES:

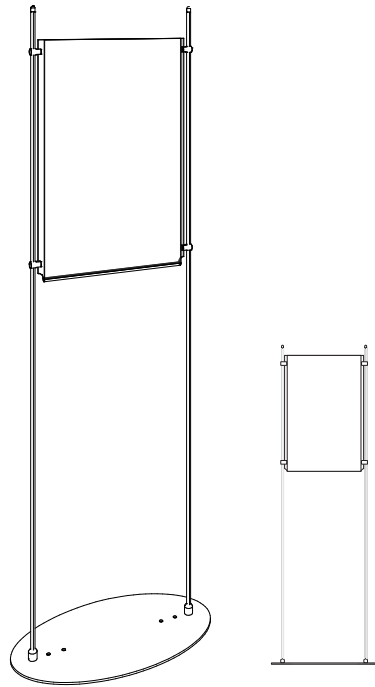
- 18EAAP-8511P - Acrylic Poster Holder (4 ea)
Insert Size: 8.5"W x 11"H

Stand Dimensions: 20"W x 80"H

Weight: 34 lbs

Totem Display Stands

HARDWARE LIST & SPECIFICATIONS for DISPLAY KITS KFRS-005 • KFRS-008



KFRS-005

HARDWARE:

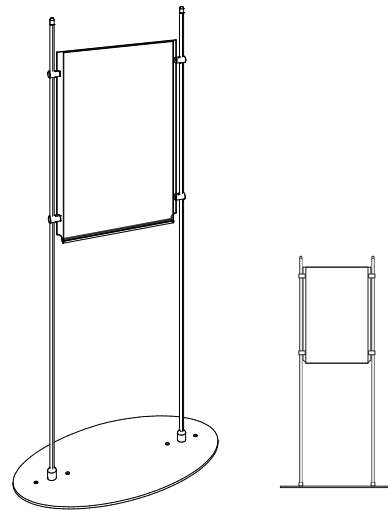
- RS-10 - Rod Support (2 ea)
- R1500-10 - 1.5m Rod (2 ea)
- REC-10 - End Cap for Rod (2 ea)
- RG01-10 - Panel Support Single (4 ea)
- ACS-625 OVAL - Oval Floor Base (1 ea)
- P12BS - Screw Set for Base (2 ea)

ACCESSORIES:

- 18EAAP-1422P - Acrylic Poster Holder (1 ea)
Insert Size: 14"W x 22"H

Stand Dimensions: 20"W x 60"H

Weight: 21 lbs



KFRS-006

HARDWARE:

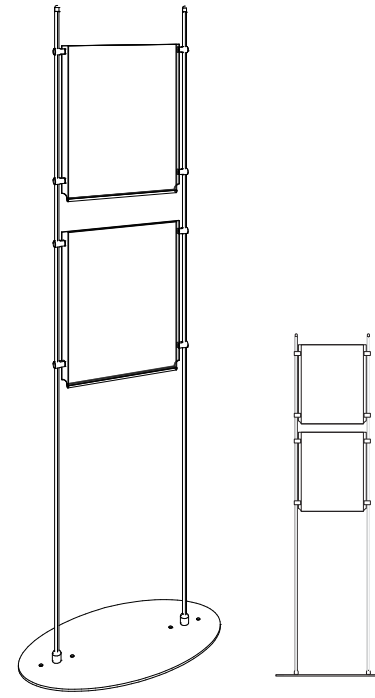
- RS-10 - Rod Support (2 ea)
- R1000-10 - 1.0m Rod (2 ea)
- REC-10 - End Cap for Rod (2 ea)
- RG01-10 - Panel Support Single (4 ea)
- ACS-625 OVAL - Oval Floor Base (1 ea)
- P12BS - Screw Set for Base (2 ea)

ACCESSORIES:

- 18EAAP-1117P - Acrylic Poster Holder (1 ea)
Insert Size: 11"W x 17"H

Stand Dimensions: 20"W x 41"H

Weight: 17.9 lbs



KFRS-007

HARDWARE:

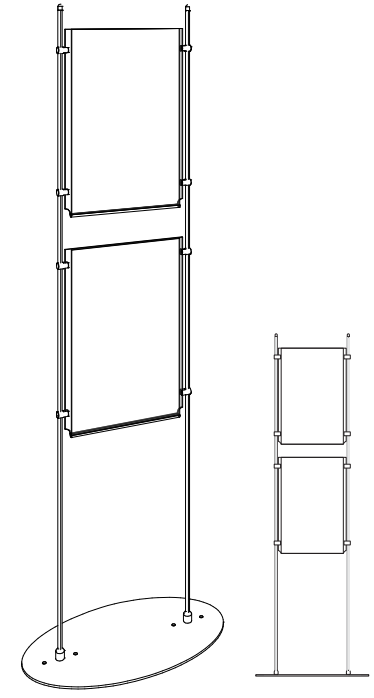
- RS-10 - Rod Support (2 ea)
- R1500-10 - 1.5m Rod (2 ea)
- REC-10 - End Cap for Rod (2 ea)
- RG01-10 - Panel Support Single (8 ea)
- ACS-625 OVAL - Oval Floor Base (1 ea)
- P12BS - Screw Set for Base (2 ea)

ACCESSORIES:

- 18EAAP-1114P - Acrylic Poster Holder (2 ea)
Insert Size: 11"W x 14"H

Stand Dimensions: 20"W x 60"H

Weight: 24 lbs



KFRS-008

HARDWARE:

- RS-10 - Rod Support (2 ea)
- R1500-10 - 1.5m Rod (2 ea)
- REC-10 - End Cap for Rod (2 ea)
- RG01-10 - Panel Support Single (8 ea)
- ACS-625 OVAL - Oval Floor Base (1 ea)
- P12BS - Screw Set for Base (2 ea)

ACCESSORIES:

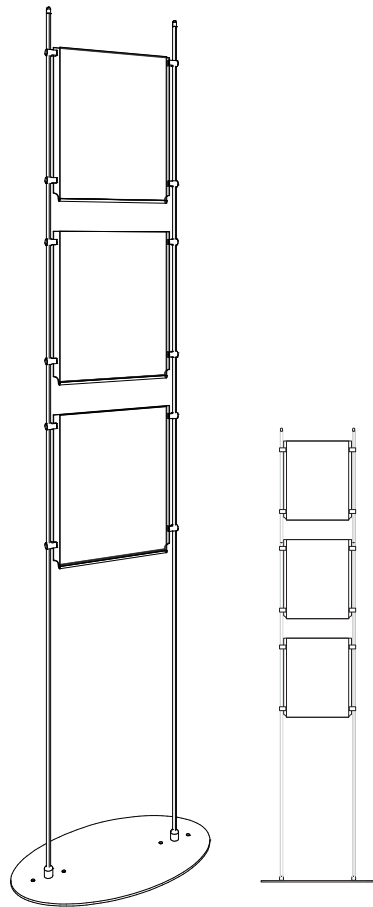
- 18EAAP-1117P - Acrylic Poster Holder (2 ea)
Insert Size: 11"W x 17"H

Stand Dimensions: 20"W x 60"H

Weight: 27 lbs

Totem Display Stands

HARDWARE LIST & SPECIFICATIONS for DISPLAY KITS KFRS-009 • KFRS-012



KFRS-009

HARDWARE:

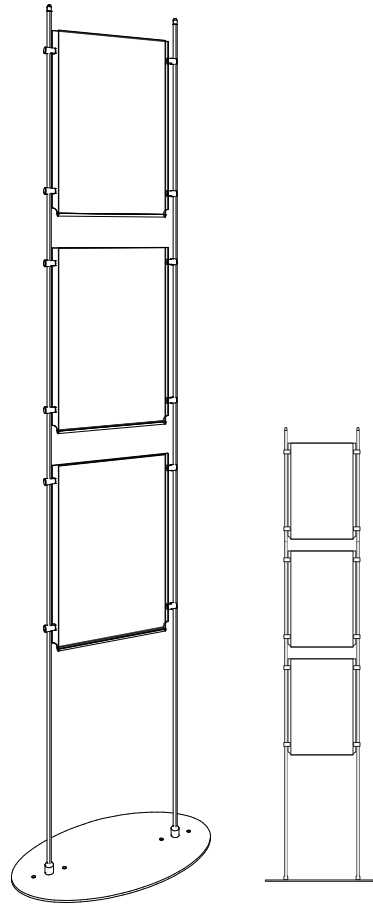
- RS-10 - Rod Support (2 ea)
- R1500-10 - 1.5m Rod (2 ea)
- R500-10 - 0.5m Rod (2 ea)
- REC-10 - End Cap for Rod (2 ea)
- RG01-10 - Panel Support Single (12 ea)
- ACS-625 OVAL - Oval Floor Base (1 ea)
- P12BS - Screw Set for Base (2 ea)

ACCESSORIES:

- 18EAAP-1114P - Acrylic Poster Holder (3 ea)
Insert Size: 11"W x 14"H

Stand Dimensions: 20"W x 80"H

Weight: 34.2 lbs



KFRS-010

HARDWARE:

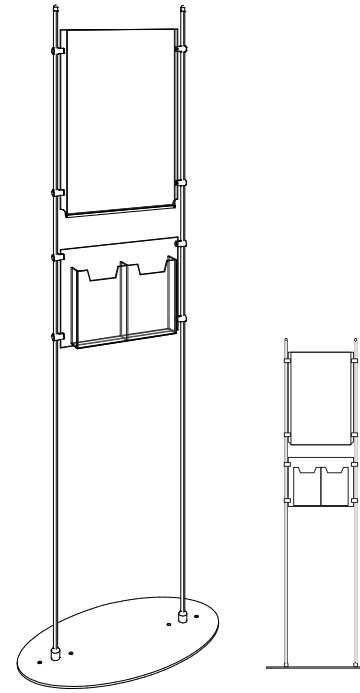
- RS-10 - Rod Support (2 ea)
- R1500-10 - 1.5m Rod (2 ea)
- R500-10 - 0.5m Rod (2 ea)
- REC-10 - End Cap for Rod (2 ea)
- REC-10 - End Cap for Rod (2 ea)
- RG01-10 - Panel Support Single (12 ea)
- ACS-625 OVAL - Oval Floor Base (1 ea)
- P12BS - Screw Set for Base (2 ea)

ACCESSORIES:

- 18EAAP-1117P - Acrylic Poster Holder (2 ea)
Insert Size: 11"W x 17"H

Stand Dimensions: 20"W x 80"H

Weight: 38 lbs



KFRS-011

HARDWARE:

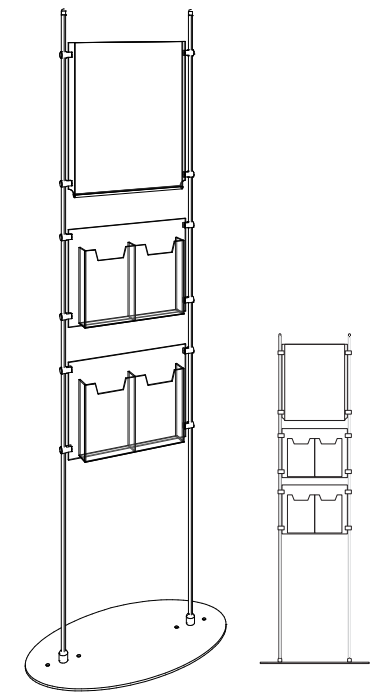
- RS-10 - Rod Support (2 ea)
- R1500-10 - 1.5m Rod (2 ea)
- REC-10 - End Cap for Rod (2 ea)
- RG01-10 - Panel Support Single (8 ea)
- ACS-625 OVAL - Oval Floor Base (1 ea)
- P12BS - Screw Set for Base (2 ea)

ACCESSORIES:

- 18EAAP-1117P - Acrylic Poster Holder (1 ea)
Insert Size: 11"W x 17"H
- 18ALD-2-3585P/12 - Acrylic Dispenser (1 ea)
Insert Size: 3.5"W x 8.5"H (Tri-Fold)

Stand Dimensions: 20"W x 60"H

Weight: 20.7 lbs



KFRS-012

HARDWARE:

- RS-10 - Rod Support (2 ea)
- R1500-10 - 1.5m Rod (2 ea)
- REC-10 - End Cap for Rod (2 ea)
- RG01-10 - Panel Support Single (12 ea)
- ACS-625 OVAL - Oval Floor Base (1 ea)
- P12BS - Screw Set for Base (2 ea)

ACCESSORIES:

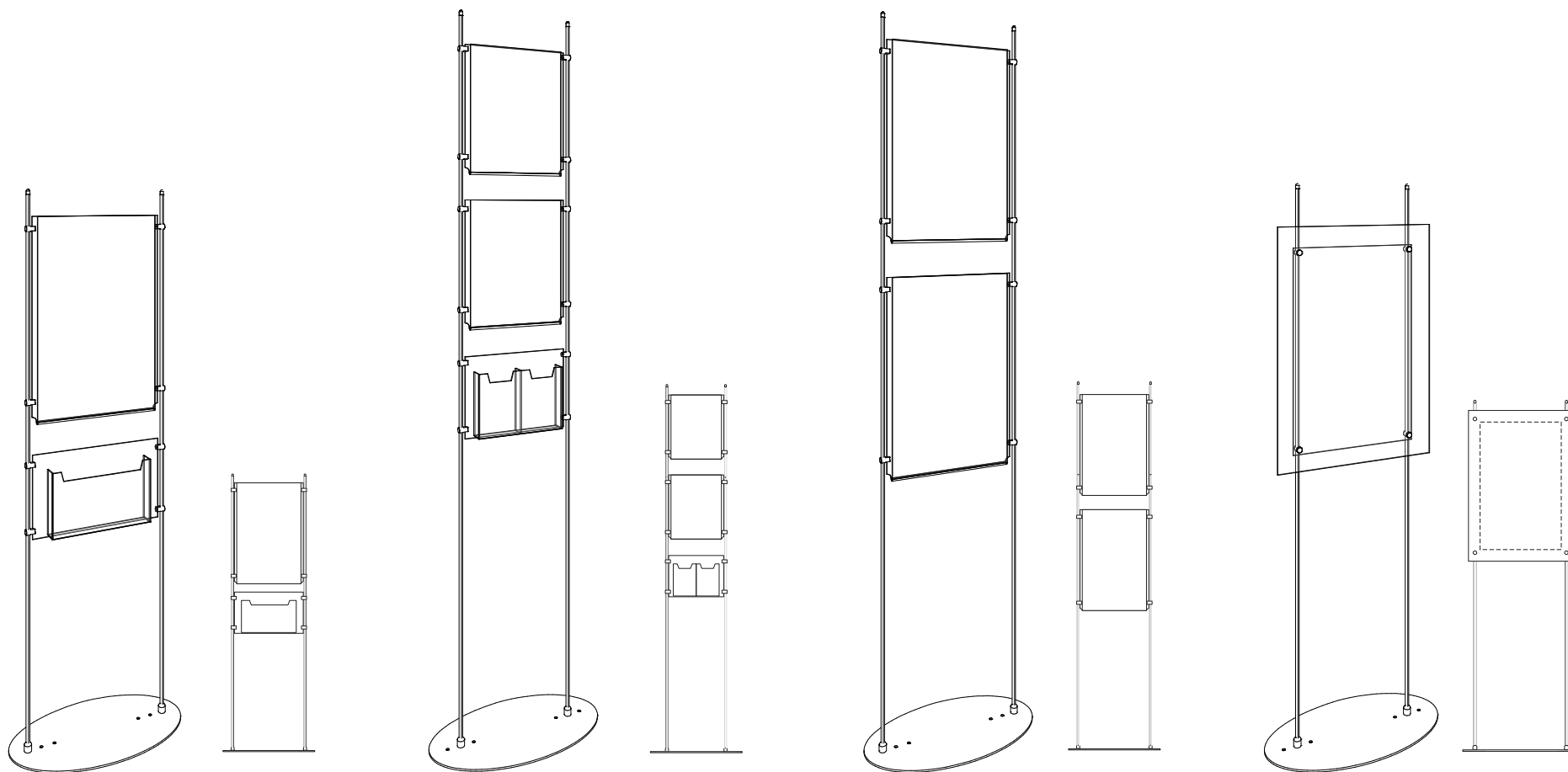
- 18EAAP-1114P - Acrylic Poster Holder (1 ea)
Insert Size: 11"W x 14"H
- 18ALD-2-3585P/12 - Acrylic Dispenser (2 ea)
Insert Size: 3.5"W x 8.5"H (Tri-Fold)

Stand Dimensions: 20"W x 60"H

Weight: 23.9 lbs

Totem Display Stands

HARDWARE LIST & SPECIFICATIONS for DISPLAY KITS KFRS-013 • KFRS-016



KFRS-013

HARDWARE:

- RS-10 - Rod Support (2 ea)
- R1500-10 - 1.5m Rod (2 ea)
- REC-10 - End Cap for Rod (2 ea)
- RG01-10 - Panel Support Single (8 ea)
- ACS-625 OVAL - Oval Floor Base (1 ea)
- P12BS - Screw Set for Base (2 ea)

ACCESSORIES:

- 18EAAP-1422P - Acrylic Poster Holder (1 ea)
Insert Size: 14"W x 22"H
- 18ALD-8511L/15 - Acrylic Dispenser (1 ea)
Insert Size: 11"W x 8.5"H (Letter Format)

Stand Dimensions: 20"W x 60"H

Weight: 25.2 lbs

KFRS-014

HARDWARE:

- RS-10 - Rod Support (2 ea)
- R1500-10 - 1.5m Rod (2 ea)
- R500-10 - 0.5m Rod (2 ea)
- REC-10 - End Cap for Rod (2 ea)
- RG01-10 - Panel Support Single (12 ea)
- ACS-625 OVAL - Oval Floor Base (1 ea)
- P12BS - Screw Set for Base (2 ea)

ACCESSORIES:

- 18EAAP-1114P - Acrylic Poster Holder (2 ea)
Insert Size: 11"W x 14"H
- 18ALD-2-3585P/12 - Acrylic Dispenser (1 ea)
Insert Size: 3.5"W x 8.5"H (Tri-Fold)

Stand Dimensions: 20"W x 80"H

Weight: 27 lbs

KFRS-015

HARDWARE:

- RS-10 - Rod Support (2 ea)
- R1500-10 - 1.5m Rod (2 ea)
- R500-10 - 0.5m Rod (2 ea)
- REC-10 - End Cap for Rod (2 ea)
- RG01-10 - Panel Support Single (8 ea)
- ACS-625 OVAL - Oval Floor Base (1 ea)
- P12BS - Screw Set for Base (2 ea)

ACCESSORIES:

- 18EAAP-1422P - Acrylic Poster Holder (2 ea)
Insert Size: 14"W x 22"H

Stand Dimensions: 20"W x 80"H

Weight: 32 lbs

KFRS-016

HARDWARE:

- RS-10 - Rod Support (2 ea)
- R1500-10 - 1.5m Rod (2 ea)
- REC-10 - End Cap for Rod (2 ea)
- RS13-10 - Panel Support Single (4 ea)
- ACS-625 OVAL - Oval Floor Base (1 ea)
- P12BS - Screw Set for Base (2 ea)

ACCESSORIES:

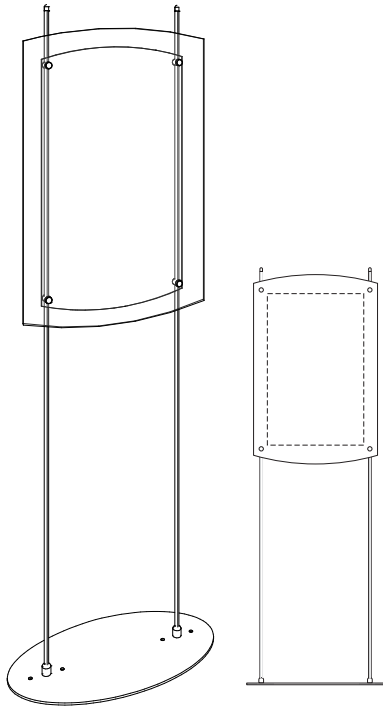
- 18ASP-1422/RS - Clear Acrylic Panel (1 ea)
- 18ASP-1422NG/RS - Non-Glare Panel (1 ea)
Insert Size: 14"W x 22"H

Stand Dimensions: 20"W x 60"H

Weight: 23.7 lbs

Totem Display Stands

HARDWARE LIST & SPECIFICATIONS for DISPLAY KITS KFRS-017 • KFRS-020



KFRS-017

HARDWARE:

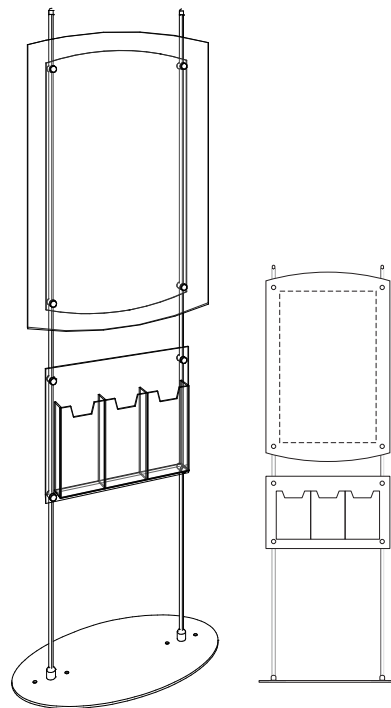
- RS-10 - Rod Support (2 ea)
- R1500-10 - 1.5m Rod (2 ea)
- REC-10 - End Cap for Rod (2 ea)
- RS13-10 - Panel Support Single (4 ea)
- ACS-625 OVAL - Oval Floor Base (1 ea)
- P12BS - Screw Set for Base (2 ea)

ACCESSORIES:

- 18ASP-2CR-1422/RS - Clear Acrylic Panel (1 ea)
- 18ASP-2CR-1422NG/RS - Non-Glare Panel (1 ea)
- Insert Size: 14"W x 22"H

Stand Dimensions: 20"W x 60"H

Weight: 24 lbs



KFRS-018

HARDWARE:

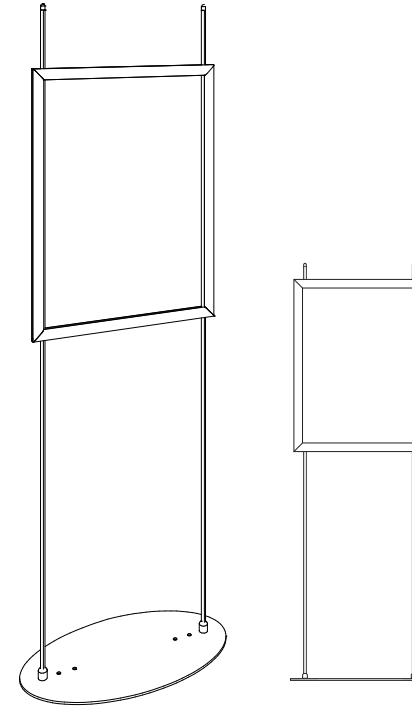
- RS-10 - Rod Support (2 ea)
- R1500-10 - 1.5m Rod (2 ea)
- REC-10 - End Cap for Rod (2 ea)
- RS13-10 - Panel Support Single (8 ea)
- ACS-625 OVAL - Oval Floor Base (1 ea)
- P12BS - Screw Set for Base (2 ea)

ACCESSORIES:

- 18ASP-2CR-1422/RS - Clear Acrylic Panel (1 ea)
- 18ASP-2CR-1422NG/RS - Non-Glare Panel (1 ea)
- Insert Size: 14"W x 22"H
- 14ALD-3-3585P/RS - Acrylic Dispenser (1 ea)
- Insert Size: 3.5"W x 8.5"H (Tri-Fold)

Stand Dimensions: 20"W x 60"H

Weight: 29 lbs



KFRS-019

HARDWARE:

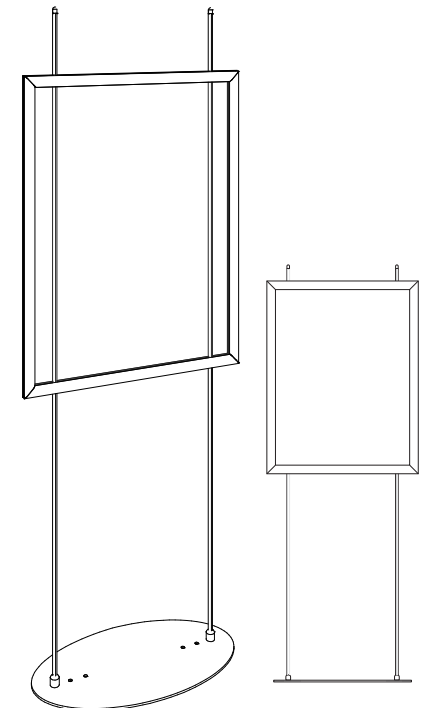
- RS-10 - Rod Support (2 ea)
- R1500-10 - 1.5m Rod (2 ea)
- REC-10 - End Cap for Rod (2 ea)
- RS03-10 - Panel Support Single (4 ea)
- PO2 - Boss Fixing (4 ea)
- ACS-625 OVAL - Oval Floor Base (1 ea)
- P12BS - Screw Set for Base (2 ea)

ACCESSORIES:

- 12AF100 - Front Load Snap Frame (1 ea)
- Insert Size: 18"W x 24"H

Stand Dimensions: 20"W x 60"H

Weight: 34 lbs



KFRS-020

HARDWARE:

- RS-10 - Rod Support (2 ea)
- R1500-10 - 1.5m Rod (2 ea)
- REC-10 - End Cap for Rod (2 ea)
- RS03-10 - Panel Support Single (4 ea)
- PO2 - Boss Fixing (4 ea)
- ACS-625 OVAL - Oval Floor Base (1 ea)
- P12BS - Screw Set for Base (2 ea)

ACCESSORIES:

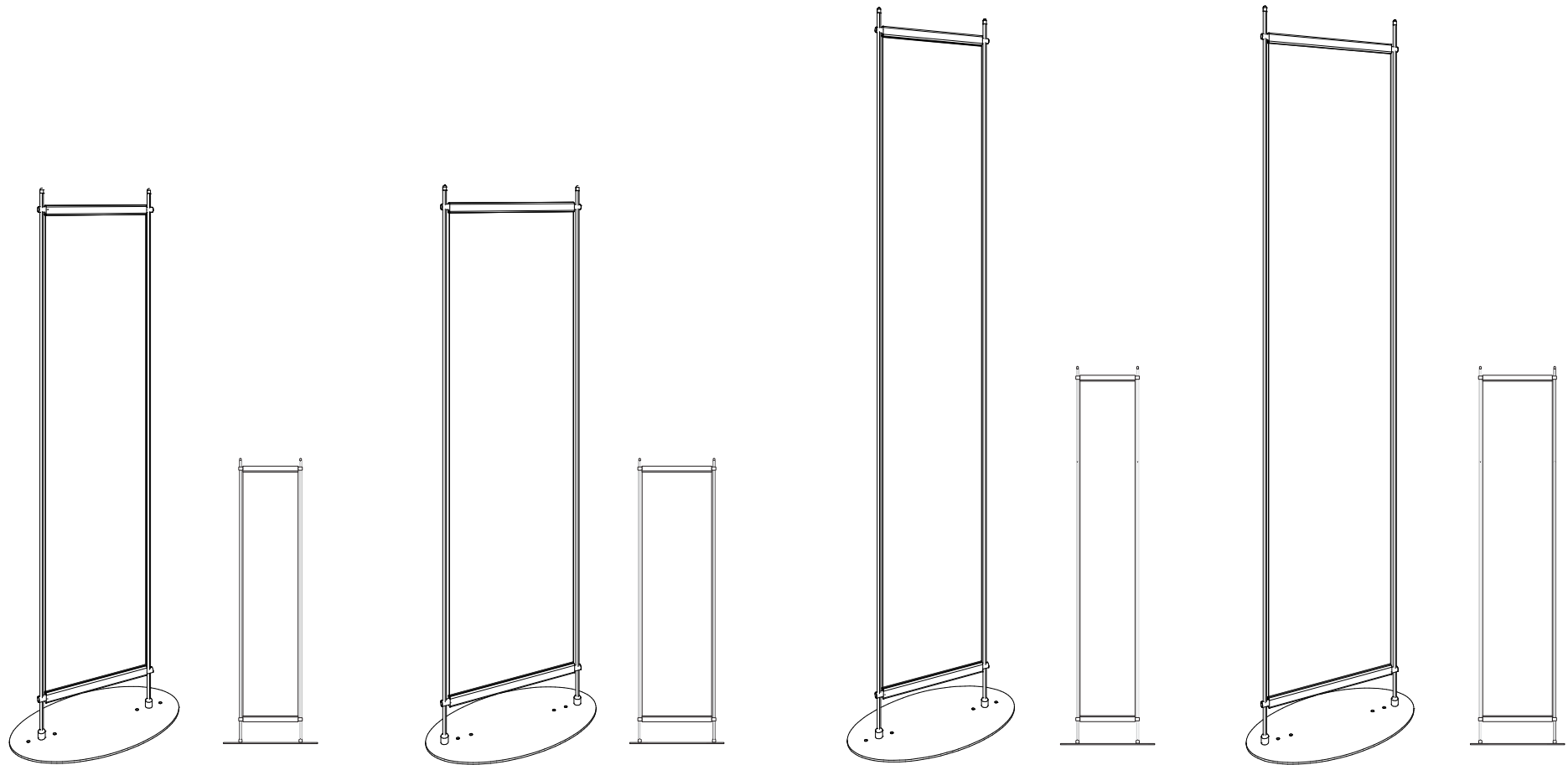
- 12AF100 - Front Load Snap Frame (1 ea)
- Insert Size: 22"W x 28"H

Stand Dimensions: 20"W x 60"H

Weight: 37.5 lbs

Totem Display Stands

HARDWARE LIST & SPECIFICATIONS for DISPLAY KITS KFRS-021 • KFRS-024



KFRS-021

HARDWARE:

- RS-10 - Rod Support (2 ea)
- R1500-10 - 1.5m Rod (2 ea)
- REC-10 - End Cap for Rod (2 ea)
- RS03-10 - Panel Support Single (4 ea)
- HRAG400R/12 - Graphic/Banner Holder (2 ea)
- ACS-625 OVAL - Oval Floor Base (1 ea)
- P12BS - Screw Set for Base (2 ea)

ACCESSORIES:

- 12PBAN-1252 - Poly Satin Fabric Banner (1 ea)
- Size: 12"W x 52"H
- ***Artwork Required

Stand Dimensions: 20"W x 60"H

Weight: 19.7 lbs

KFRS-022

HARDWARE:

- RS-10 - Rod Support (2 ea)
- R1500-10 - 1.5m Rod (2 ea)
- REC-10 - End Cap for Rod (2 ea)
- RS03-10 - Panel Support Single (4 ea)
- HRAG400R/15 - Graphic/Banner Holder (2 ea)
- ACS-625 OVAL - Oval Floor Base (1 ea)
- P12BS - Screw Set for Base (2 ea)

ACCESSORIES:

- 12PBAN-1552 - Poly Satin Fabric Banner (1 ea)
- Size: 15"W x 52"H
- ***Artwork Required

Stand Dimensions: 20"W x 60"H

Weight: 21 lbs

KFRS-023

HARDWARE:

- RS-10 - Rod Support (2 ea)
- R1500-10 - 1.5m Rod (2 ea)
- R500-10 - 0.5m Rod (2 ea)
- REC-10 - End Cap for Rod (2 ea)
- RS03-10 - Panel Support Single (4 ea)
- HRAG400R/12 - Graphic/Banner Holder (2 ea)
- ACS-625 OVAL - Oval Floor Base (1 ea)
- P12BS - Screw Set for Base (2 ea)

ACCESSORIES:

- 12PBAN-1272 - Poly Satin Fabric Banner (1 ea)
- Size: 12"W x 72"H
- ***Artwork Required

Stand Dimensions: 20"W x 80"H

Weight: 21.5 lbs

KFRS-024

HARDWARE:

- RS-10 - Rod Support (2 ea)
- R1500-10 - 1.5m Rod (2 ea)
- R500-10 - 0.5m Rod (2 ea)
- REC-10 - End Cap for Rod (2 ea)
- RS03-10 - Panel Support Single (4 ea)
- HRAG400R/15 - Graphic/Banner Holder (2 ea)
- ACS-625 OVAL - Oval Floor Base (1 ea)
- P12BS - Screw Set for Base (2 ea)

ACCESSORIES:

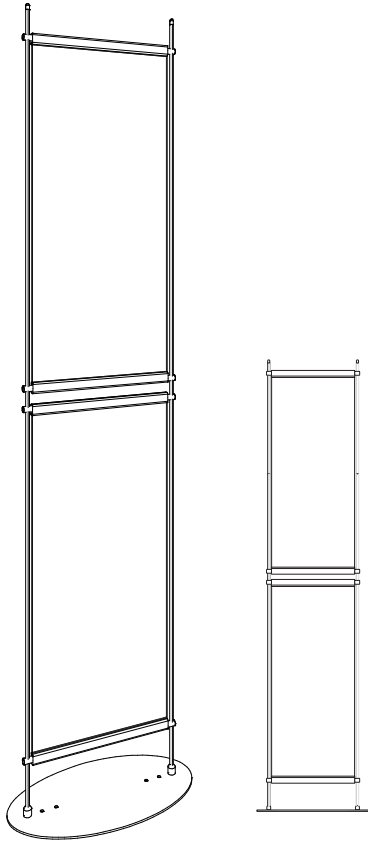
- 12PBAN-1572 - Poly Satin Fabric Banner (1 ea)
- Size: 15"W x 72"H
- ***Artwork Required

Stand Dimensions: 20"W x 80"H

Weight: 22.9 lbs

Totem Display Stands

HARDWARE LIST & SPECIFICATIONS for DISPLAY KITS KFRS-025 • KFRS-028



KFRS-025

HARDWARE:

- RS-10 - Rod Support (2 ea)
- R1500-10 - 1.5m Rod (2 ea)
- R500-10 - 0.5m Rod (2 ea)
- REC-10 - End Cap for Rod (2 ea)
- RS03-10 - Panel Support Single (8 ea)
- HRAG400R/15 - Graphic/Banner Holder (4 ea)
- ACS-625 OVAL - Oval Floor Base (1 ea)
- P12BS - Screw Set for Base (2 ea)

ACCESSORIES:

- 12PBAN-1534 - Poly Satin Fabric Banner (2 ea)
- Size: 15"W x 34"H
***Artwork Required

Stand Dimensions: 20"W x 80"H

 Weight: 24 lbs