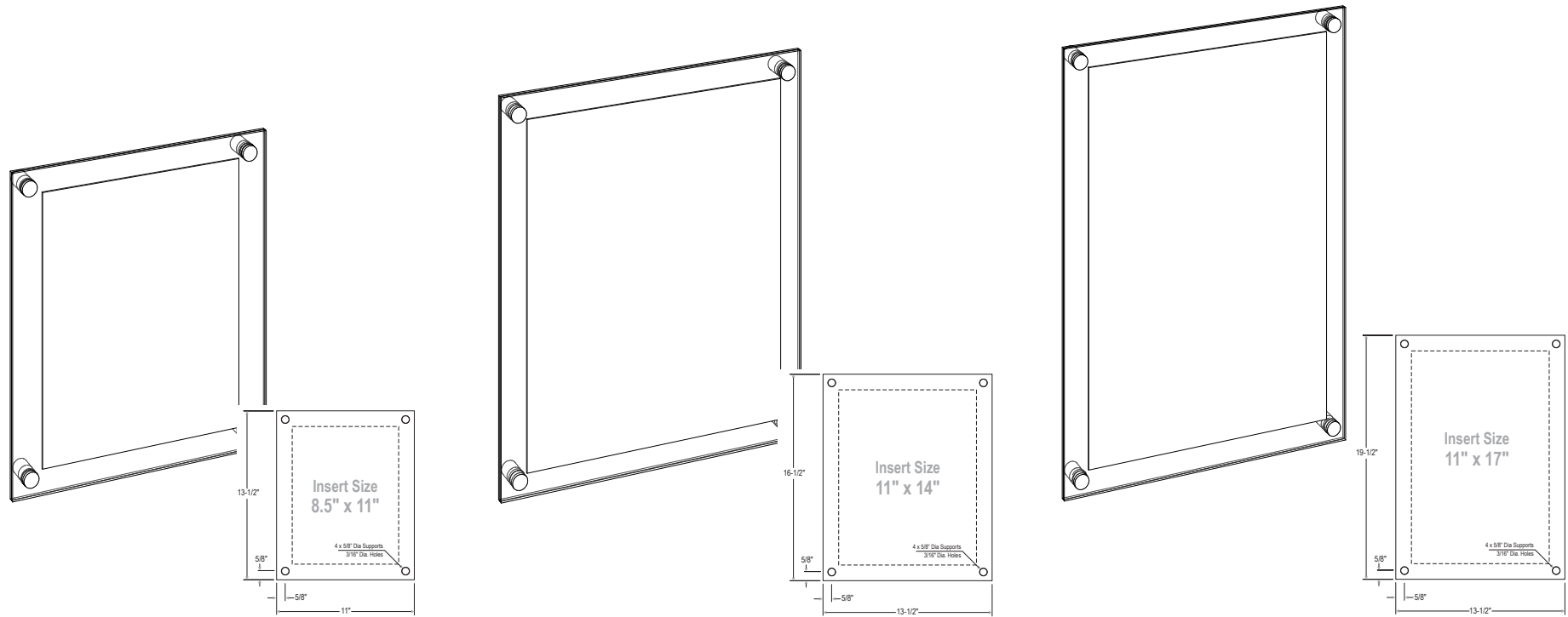


# Classic & Designer Series Sandwich Acrylic Panels

## FRAMELESS POSTER DISPLAY KITS KASP-001 • KASP-003



### KASP-001

**HARDWARE:**

- WM05-13 - Panel Support (5/8" Dia. x 1" Length) (4 ea)
- P19W - Screw Set for Wall Mounting (4 ea)

**ACCESSORIES:**

- 18ASP-W-8511 - 1/8" Clear Acrylic Back Panel (1 ea)  
Panel Size: 11" x 13.5"
- 18ASP-W-8511NG - 1/8" Non-Glare Front Panel (1 ea)  
Panel Size: 11" x 13.5"

\*\*\*Poster Insert Size: 8.5" x 11" (Portrait / Landscape)

Weight: 1.9 lbs

### KASP-002

**HARDWARE:**

- WM05-13 - Panel Support (5/8" Dia. x 1" Length) (4 ea)
- P19W - Screw Set for Wall Mounting (4 ea)

**ACCESSORIES:**

- 18ASP-W-1114 - 1/8" Clear Acrylic Back Panel (1 ea)  
Panel Size: 13.5" x 16.5"
- 18ASP-W-1114NG - 1/8" Non-Glare Front Panel (1 ea)  
Panel Size: 13.5" x 16.5"

\*\*\*Poster Insert Size: 11" x 14" (Portrait / Landscape)

Weight: 2.6 lbs

### KASP-003

**HARDWARE:**

- WM05-13 - Panel Support (5/8" Dia. x 1" Length) (4 ea)
- P19W - Screw Set for Wall Mounting (4 ea)

**ACCESSORIES:**

- 18ASP-W-1117 - 1/8" Clear Acrylic Back Panel (1 ea)  
Panel Size: 13.5" x 19.5"
- 18ASP-W-1117NG - 1/8" Non-Glare Front Panel (1 ea)  
Panel Size: 13.5" x 19.5"

\*\*\*Poster Insert Size: 11" x 17" (Portrait / Landscape)

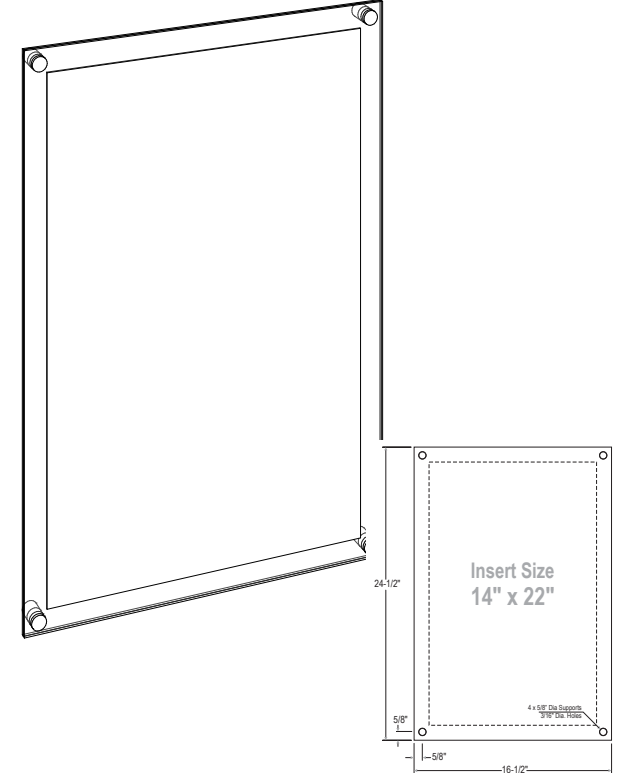
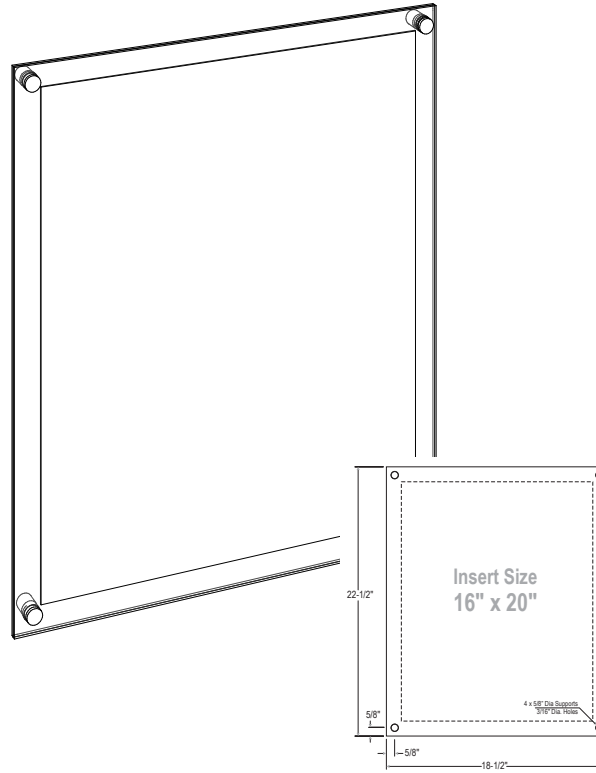
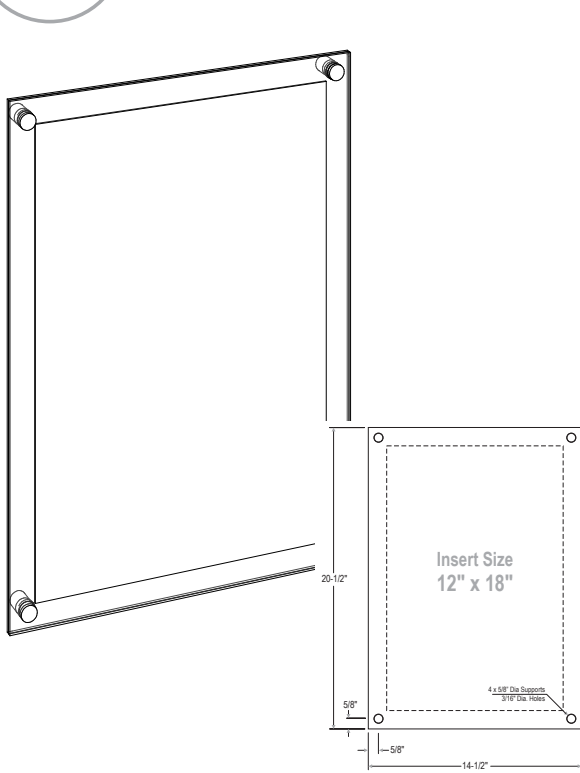
Weight: 3.1 lbs

# Classic & Designer Series Sandwich Acrylic Panels

## FRAMELESS POSTER DISPLAY KITS KASP-004 • KASP-006

1/8" Non-Glare  
1/8" Clear

1/4" Thick  
Sandwich Frames  
with Frosted Screen



### KASP-004

**HARDWARE:**

- WM05-13 - Panel Support (5/8" Dia. x 1" Length) (4 ea)
- P19W - Screw Set for Wall Mounting (4 ea)

**ACCESSORIES:**

- 18ASP-W-1218 - 1/8" Clear Acrylic Back Panel (1 ea)  
Panel Size: 14.5" x 20.5"
- 18ASP-W-1218NG - 1/8" Non-Glare Front Panel (1 ea)  
Panel Size: 14.5" x 20.5"

\*\*\*Poster Insert Size: 12" x 18" (Portrait / Landscape)

Weight: 3.4 lbs

### KASP-005

**HARDWARE:**

- WM05-13 - Panel Support (5/8" Dia. x 1" Length) (4 ea)
- P19W - Screw Set for Wall Mounting (4 ea)

**ACCESSORIES:**

- 18ASP-W-1620 - 1/8" Clear Acrylic Back Panel (1 ea)  
Panel Size: 18.5" x 22.5"
- 18ASP-W-1620NG - 1/8" Non-Glare Front Panel (1 ea)  
Panel Size: 18.5" x 22.5"

\*\*\*Poster Insert Size: 16" x 20" (Portrait / Landscape)

Weight: 4.7 lbs

### KASP-006

**HARDWARE:**

- WM05-13 - Panel Support (5/8" Dia. x 1" Length) (4 ea)
- P19W - Screw Set for Wall Mounting (4 ea)
- 14CLIP - 1/4" Clear Clip (2 ea)

**ACCESSORIES:**

- 18ASP-W-1422 - 1/8" Clear Acrylic Back Panel (1 ea)  
Panel Size: 16.5" x 24.5"
- 18ASP-W-1422NG - 1/8" Non-Glare Front Panel (1 ea)  
Panel Size: 16.5" x 24.5"

\*\*\*Poster Insert Size: 14" x 22" (Portrait / Landscape)

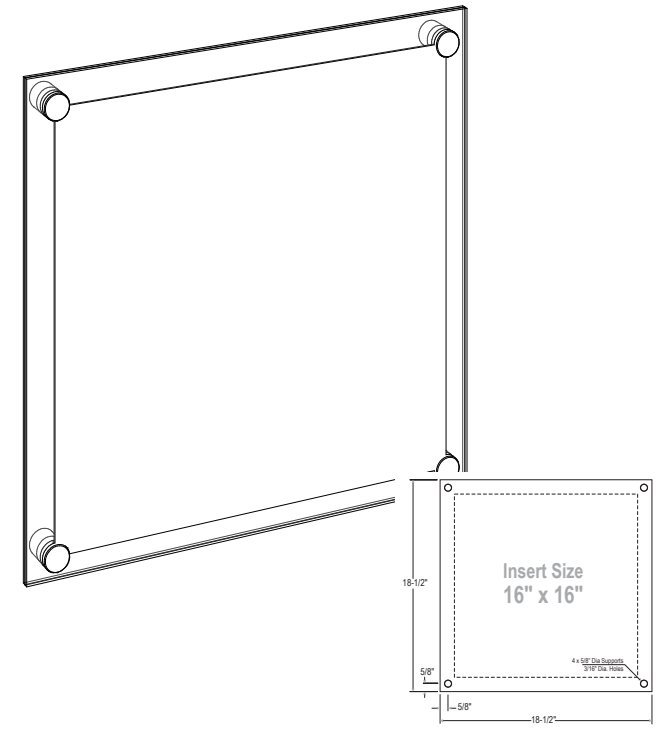
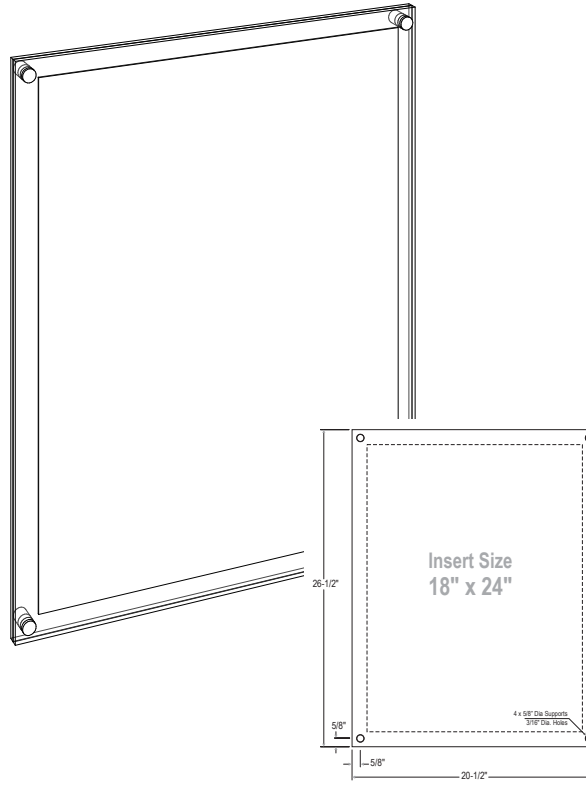
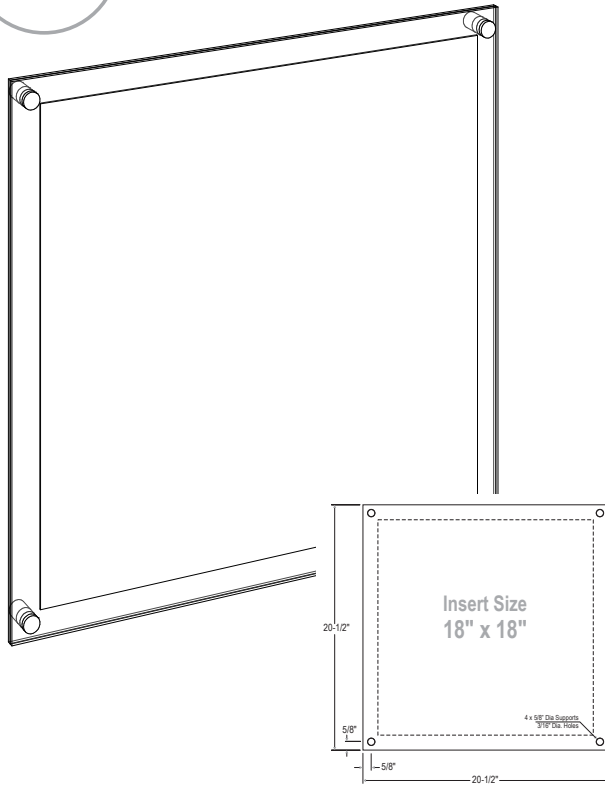
Weight: 4.5 lbs

# Classic & Designer Series Sandwich Acrylic Panels

## FRAMELESS POSTER DISPLAY KITS KASP-007 • KASP-009

1/8" Non-Glare  
1/4" Clear

3/8" Thick  
Sandwich Frames  
with Frosted Screen



### KASP-007

**HARDWARE:**

- WM05-13 - Panel Support (5/8" Dia. x 1" Length) (4 ea)
- P19W - Screw Set for Wall Mounting (4 ea)

**ACCESSORIES:**

- 18ASP-W-1818 - 1/8" Clear Acrylic Back Panel (1 ea)  
Panel Size: 20.5" x 20.5"
- 18ASP-W-1818NG - 1/8" Non-Glare Front Panel (1 ea)  
Panel Size: 20.5" x 20.5"

\*\*\*Poster Insert Size: 18" x 18"

Weight: 4.6 lbs

### KASP-008

**HARDWARE:**

- WM05-13 - Panel Support (5/8" Dia. x 1" Length) (4 ea)
- P19W - Screw Set for Wall Mounting (4 ea)
- 14CLIP - 1/4" Clear Clip (2 ea)

**ACCESSORIES:**

- 18ASP-W-1824 - 1/8" Clear Acrylic Back Panel (1 ea)  
Panel Size: 20.5" x 26.5"
- 18ASP-W-1824NG - 1/8" Non-Glare Front Panel (1 ea)  
Panel Size: 20.5" x 26.5"

\*\*\*Poster Insert Size: 18" x 24" (Portrait / Landscape)

Weight: 6.1 lbs

### KASP-009

**HARDWARE:**

- WM05-13 - Panel Support (5/8" Dia. x 1" Length) (4 ea)
- P19W - Screw Set for Wall Mounting (4 ea)

**ACCESSORIES:**

- 14ASP-W-1616 - 1/4" Clear Acrylic Back Panel (1 ea)  
Panel Size: 18.5" x 18.5"
- 18ASP-W-1620NG - 1/8" Non-Glare Front Panel (1 ea)  
Panel Size: 18.5" x 18.5"

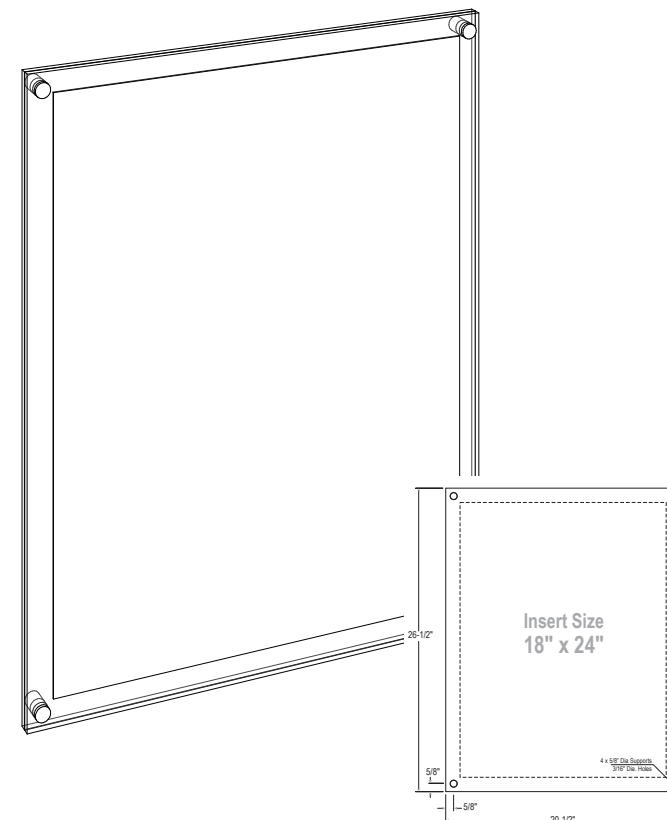
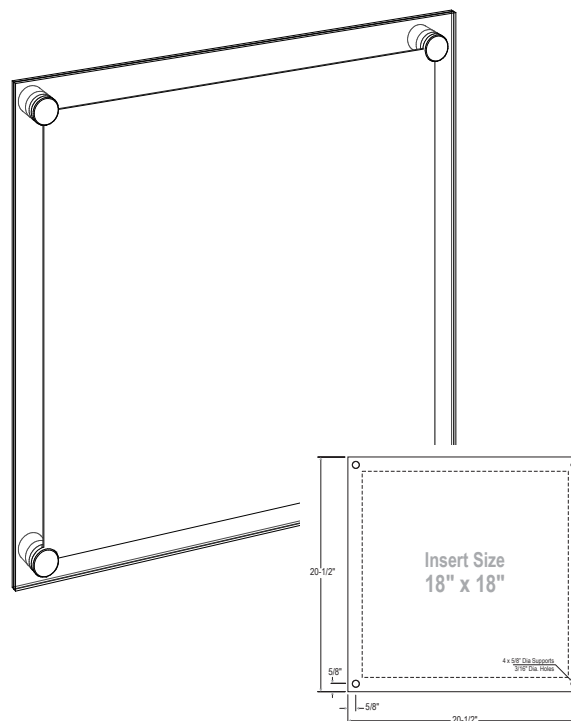
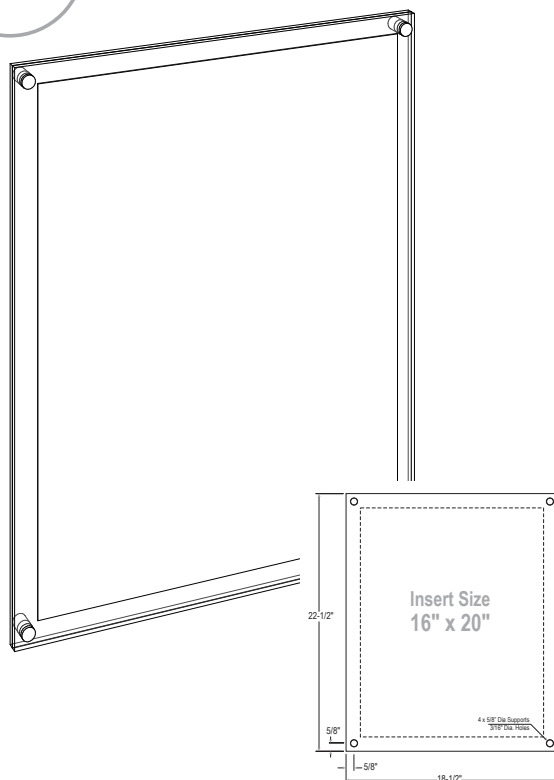
\*\*\*Poster Insert Size: 16" x 16"

Weight: 5.7 lbs

# Classic & Designer Series Sandwich Acrylic Panels

## FRAMELESS POSTER DISPLAY KITS KASP-010 • KASP-012

1/8" Non-Glare  
1/4" Clear  
3/8" Thick Sandwich Frames with Frosted Screen



### KASP-010

**HARDWARE:**

- WM05-13 - Panel Support (5/8" Dia. x 1" Length) (4 ea)
- P19W - Screw Set for Wall Mounting (4 ea)
- 38CLIP - 3/8" Clear Clip (2 ea)

**ACCESSORIES:**

- 14ASP-W-1620 - 1/4" Clear Acrylic Back Panel (1 ea)  
Panel Size: 18.5" x 22.5"
- 18ASP-W-1620NG - 1/8" Non-Glare Front Panel (1 ea)  
Panel Size: 18.5" x 22.5"

\*\*\*Poster Insert Size: 16" x 20" (Portrait / Landscape)

Weight: 7.3 lbs

### KASP-011

**HARDWARE:**

- WM05-13 - Panel Support (5/8" Dia. x 1" Length) (4 ea)
- P19W - Screw Set for Wall Mounting (4 ea)

**ACCESSORIES:**

- 14ASP-W-1818 - 1/4" Clear Acrylic Back Panel (1 ea)  
Panel Size: 20.5" x 20.5"
- 18ASP-W-1818NG - 1/8" Non-Glare Front Panel (1 ea)  
Panel Size: 20.5" x 20.5"

\*\*\*Poster Insert Size: 18" x 18"

Weight: 8.1 lbs

### KASP-012

**HARDWARE:**

- WM05-13 - Panel Support (5/8" Dia. x 1" Length) (4 ea)
- P19W - Screw Set for Wall Mounting (4 ea)
- 38CLIP - 3/8" Clear Clip (2 ea)

**ACCESSORIES:**

- 14ASP-W-1824 - 1/4" Clear Acrylic Back Panel (1 ea)  
Panel Size: 20.5" x 26.5"
- 18ASP-W-1824NG - 1/8" Non-Glare Front Panel (1 ea)  
Panel Size: 20.5" x 26.5"

\*\*\*Poster Insert Size: 18" x 24" (Portrait / Landscape)

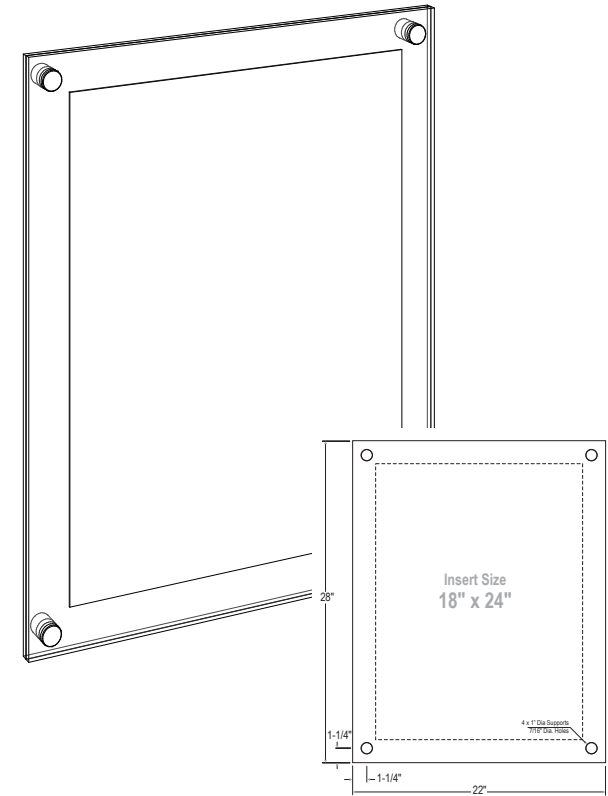
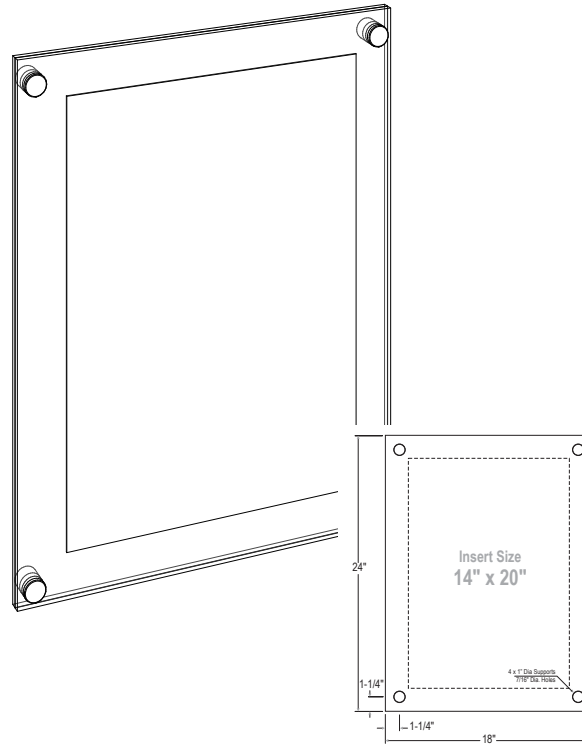
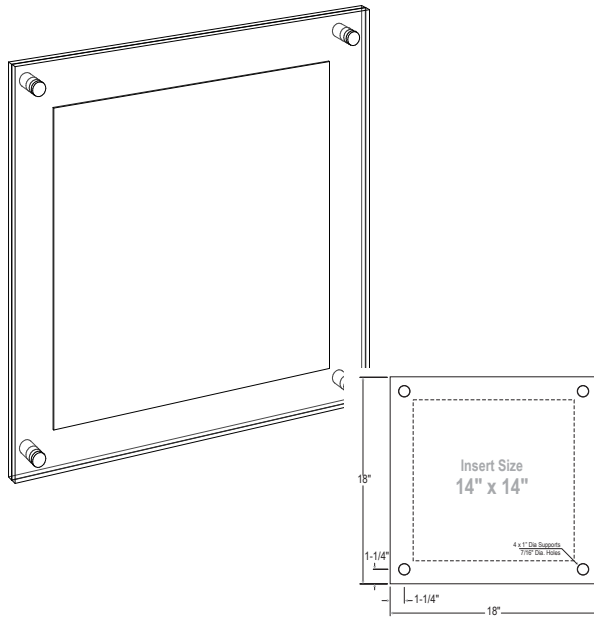
Weight: 8.7 lbs

# Classic & Designer Series Sandwich Acrylic Panels

## FRAMELESS POSTER DISPLAY KITS KASP-013 • KASP-015

1/8" Non-Glare  
1/4" Clear

**3/8" Thick Sandwich Frames with Frosted Screen**



### KASP-013

**HARDWARE:**

- WM15 - Panel Support (1" Dia. x 1" Length) (4 ea)
- P19W - Screw Set for Wall Mounting (4 ea)

**ACCESSORIES:**

- 14ASP-1818/H - 1/4" Clear Acrylic Back Panel (1 ea)  
Panel Size: 18" x 18"
- 18ASP-1818NG/H - 1/8" Non-Glare Front Panel (1 ea)  
Panel Size: 18" x 18"

\*\*\*Poster Insert Size: 14" x 14"  
(or up to 18" x 18" without clear border)

Weight: 6.3 lbs

### KASP-014

**HARDWARE:**

- WM15 - Panel Support (1" Dia. x 1" Length) (4 ea)
- P19W - Screw Set for Wall Mounting (4 ea)
- 38CLIP - 3/8" Clear Clip (2 ea)

**ACCESSORIES:**

- 14ASP-1824/H - 1/4" Clear Acrylic Back Panel (1 ea)  
Panel Size: 18" x 24"
- 18ASP-1824NG/H - 1/8" Non-Glare Front Panel (1 ea)  
Panel Size: 18" x 24"

\*\*\*Poster Insert Size: 14" x 20"  
(or up to 18" x 24" without clear border)

Weight: 8.5 lbs

### KASP-015

**HARDWARE:**

- WM15 - Panel Support (1" Dia. x 1" Length) (4 ea)
- P19W - Screw Set for Wall Mounting (4 ea)
- 38CLIP - 3/8" Clear Clip (2 ea)

**ACCESSORIES:**

- 14ASP-2228/H - 1/4" Clear Acrylic Back Panel (1 ea)  
Panel Size: 22" x 28"
- 18ASP-2228NG/H - 1/8" Non-Glare Front Panel (1 ea)  
Panel Size: 22" x 28"

\*\*\*Poster Insert Size: 18" x 24"  
(or up to 22" x 28" without clear border)

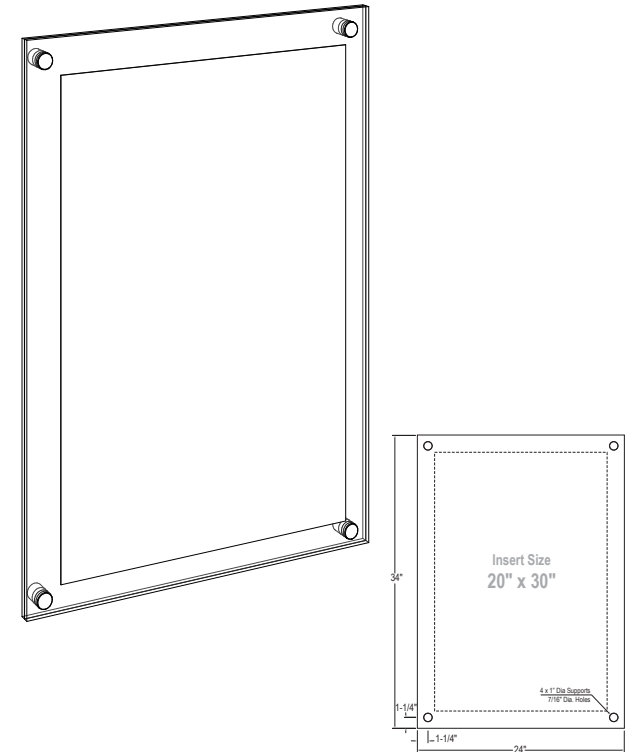
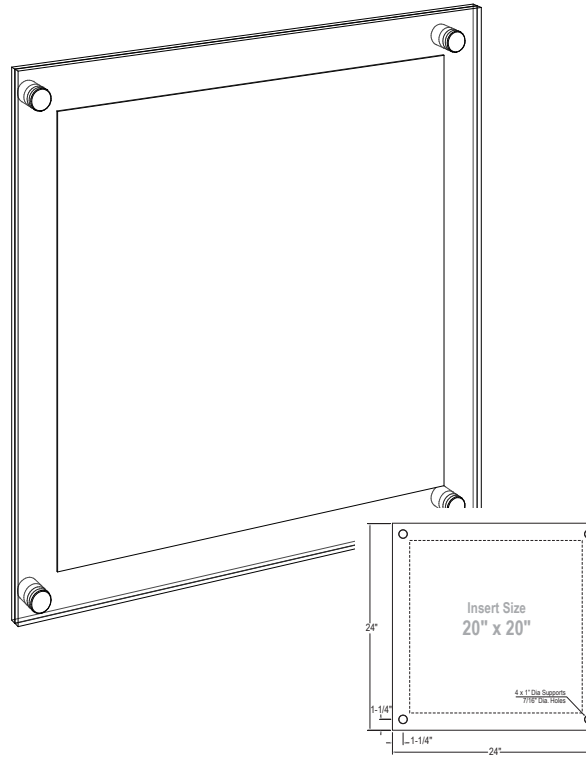
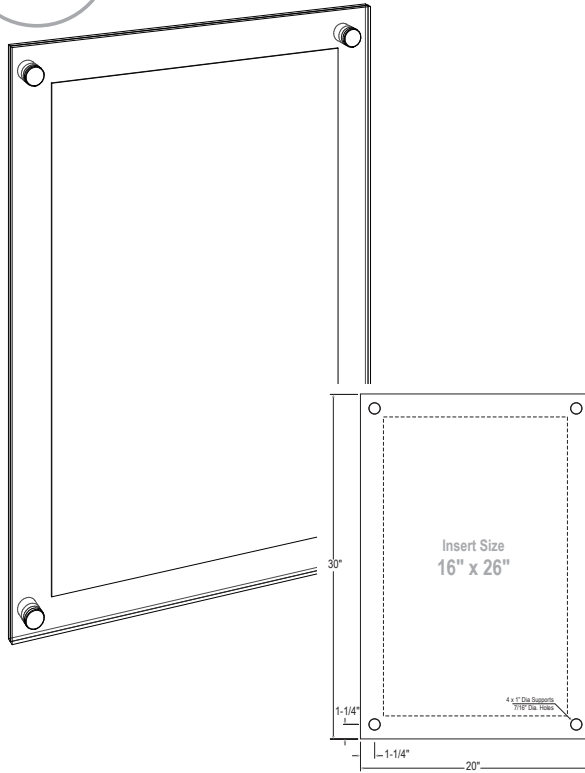
Weight: 11.4 lbs

# Classic & Designer Series Sandwich Acrylic Panels

## FRAMELESS POSTER DISPLAY KITS KASP-016 • KASP-018

1/8" Non-Glare  
1/4" Clear

3/8" Thick Sandwich Frames with Frosted Screen



### KASP-016

**HARDWARE:**

- WM15 - Panel Support (1" Dia. x 1" Length) (4 ea)
- P19W - Screw Set for Wall Mounting (4 ea)
- 38CLIP - 3/8" Clear Clip (2 ea)

**ACCESSORIES:**

- 14ASP-2030/H - 1/4" Clear Acrylic Back Panel (1 ea)  
Panel Size: 20" x 30"
- 18ASP-2030NG/H - 1/8" Non-Glare Front Panel (1 ea)  
Panel Size: 20" x 30"

\*\*\*Poster Insert Size: 16" x 26"  
(or up to 20" x 30" without clear border)

Weight: 10.9 lbs

### KASP-017

**HARDWARE:**

- WM15 - Panel Support (1" Dia. x 1" Length) (4 ea)
- P19W - Screw Set for Wall Mounting (4 ea)

**ACCESSORIES:**

- 14ASP-2424/H - 1/4" Clear Acrylic Back Panel (1 ea)  
Panel Size: 24" x 24"
- 18ASP-2424NG/H - 1/8" Non-Glare Front Panel (1 ea)  
Panel Size: 24" x 24"

\*\*\*Poster Insert Size: 20" x 20"  
(or up to 24" x 24" without clear border)

Weight: 10.4 lbs

### KASP-018

**HARDWARE:**

- WM15 - Panel Support (1" Dia. x 1" Length) (4 ea)
- P19W - Screw Set for Wall Mounting (4 ea)
- 38CLIP - 3/8" Clear Clip (2 ea)

**ACCESSORIES:**

- 14ASP-2434/H - 1/4" Clear Acrylic Back Panel (1 ea)  
Panel Size: 24" x 34"
- 18ASP-2434NG/H - 1/8" Non-Glare Front Panel (1 ea)  
Panel Size: 24" x 34"

\*\*\*Poster Insert Size: 20" x 30"  
(or up to 24" x 34" without clear border)

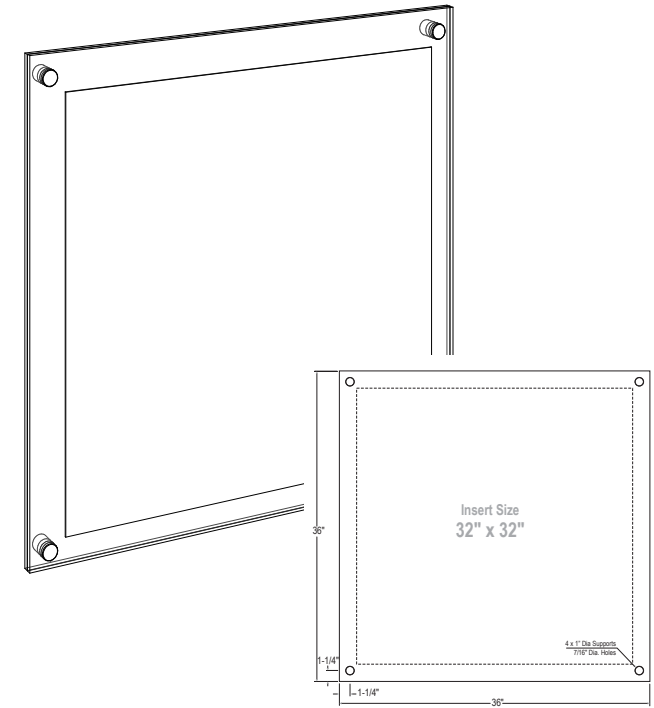
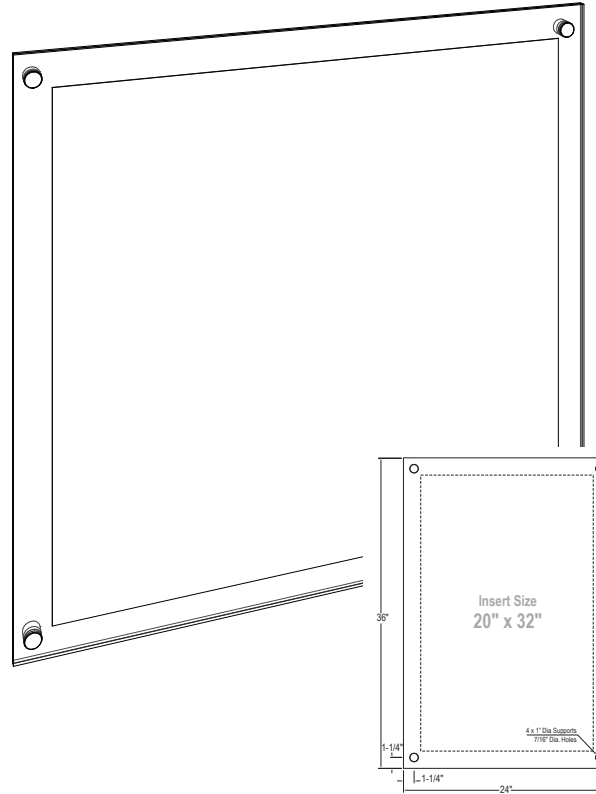
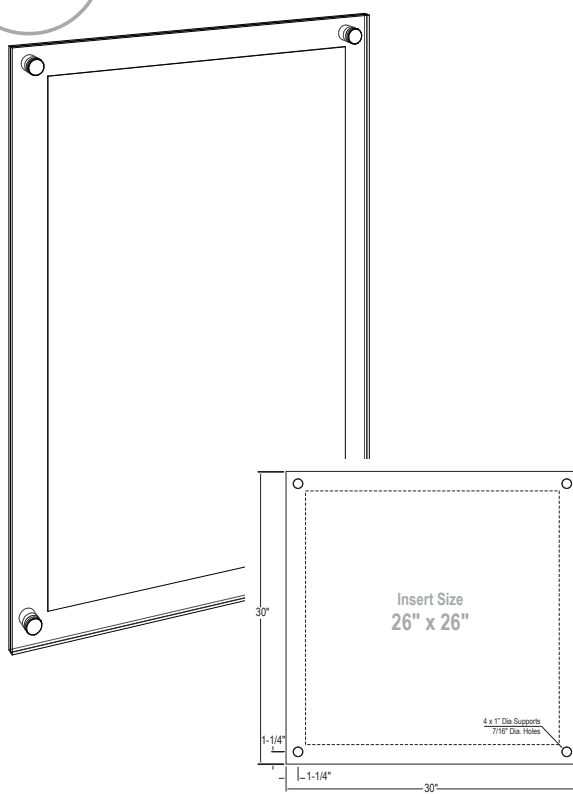
Weight: 14.8 lbs

# Classic & Designer Series Sandwich Acrylic Panels

## FRAMELESS POSTER DISPLAY KITS KASP-019 • KASP-021

1/8" Non-Glare  
1/4" Clear

3/8" Thick Sandwich Frames with Frosted Screen



### KASP-019

**HARDWARE:**

- WM15 - Panel Support (1" Dia. x 1" Length) (4 ea)
- P19W - Screw Set for Wall Mounting (4 ea)
- 38CLIP - 3/8" Clear Clip (2 ea)

**ACCESSORIES:**

- 14ASP-2436/H - 1/4" Clear Acrylic Back Panel (1 ea)  
Panel Size: 24" x 36"
- 18ASP-2436NG/H - 1/8" Non-Glare Front Panel (1 ea)  
Panel Size: 24" x 36"

\*\*\*Poster Insert Size: 20" x 32"  
(or up to 24" x 36" without clear border)

Weight: 15.1 lbs

### KASP-020

**HARDWARE:**

- WM15 - Panel Support (1" Dia. x 1" Length) (4 ea)
- P19W - Screw Set for Wall Mounting (4 ea)
- 38CLIP - 3/8" Clear Clip (2 ea)

**ACCESSORIES:**

- 14ASP-3636/H - 1/4" Clear Acrylic Back Panel (1 ea)  
Panel Size: 36" x 36"
- 18ASP-3636NG/H - 1/8" Non-Glare Front Panel (1 ea)  
Panel Size: 36" x 36"

\*\*\*Poster Insert Size: 32" x 32"  
(or up to 36" x 36" without clear border)

Weight: 22 lbs

### KASP-021

**HARDWARE:**

- WM15 - Panel Support (1" Dia. x 1" Length) (4 ea)
- P19W - Screw Set for Wall Mounting (4 ea)
- 38CLIP - 3/8" Clear Clip (4 ea)

**ACCESSORIES:**

- 14ASP-3030/H - 1/4" Clear Acrylic Back Panel (1 ea)  
Panel Size: 30" x 30"
- 18ASP-3030NG/H - 1/8" Non-Glare Front Panel (1 ea)  
Panel Size: 30" x 30"

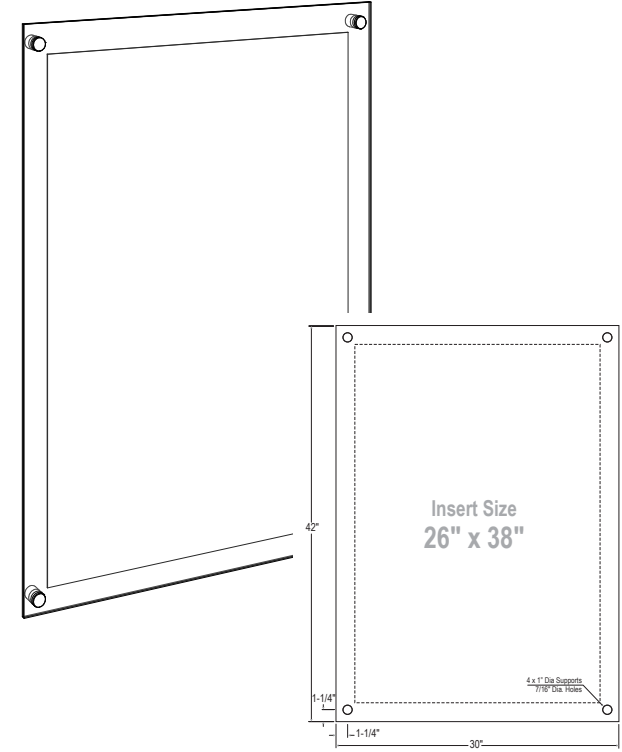
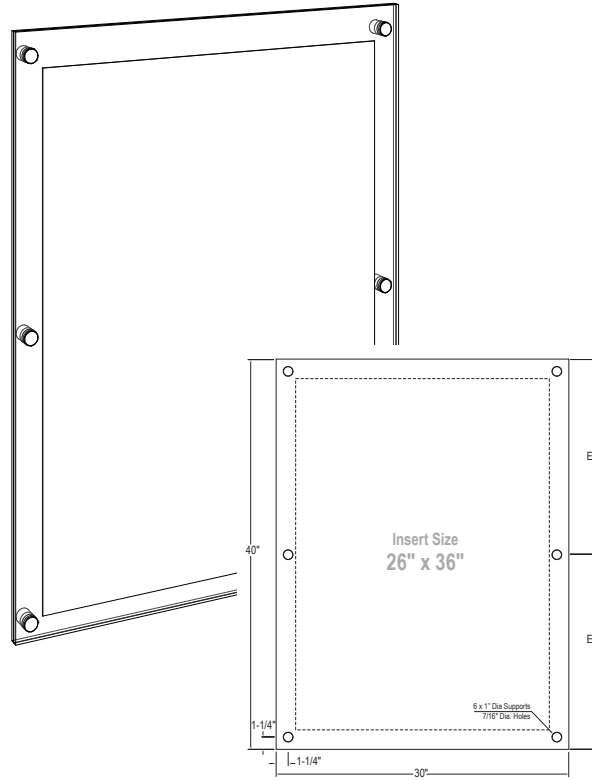
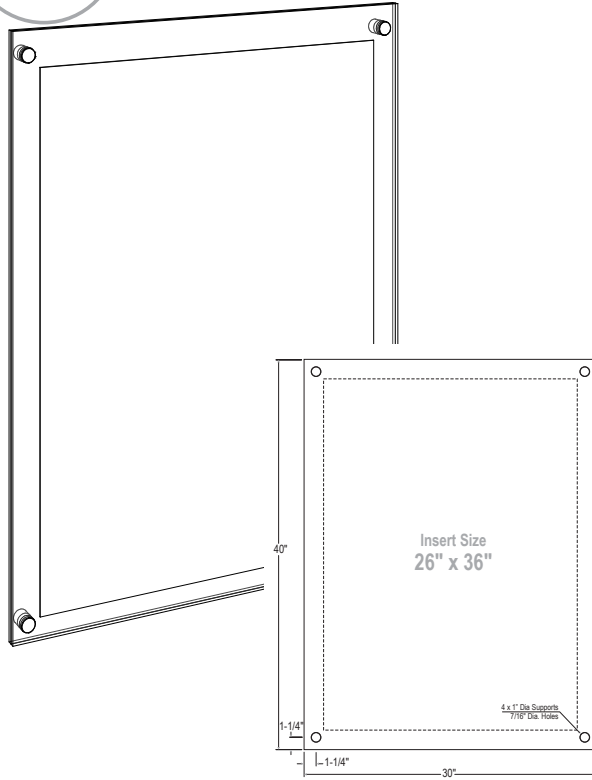
\*\*\*Poster Insert Size: 26" x 26"  
(or up to 30" x 30" without clear border)

Weight: 16.7 lbs

# Classic & Designer Series Sandwich Acrylic Panels

## FRAMELESS POSTER DISPLAY KITS KASP-022 • KASP-024

1/8" Non-Glare  
1/4" Clear  
3/8" Thick  
Sandwich Frames  
with Frosted Screen



### KASP-022

**HARDWARE:**

- WM15 - Panel Support (1" Dia. x 1" Length) (4 ea)
- P19W - Screw Set for Wall Mounting (4 ea)
- 38CLIP - 3/8" Clear Clip (4 ea)

**ACCESSORIES:**

- 14ASP-3040/H - 1/4" Clear Acrylic Back Panel (1 ea)  
Panel Size: 30" x 40"
- 18ASP-3040NG/H - 1/8" Non-Glare Front Panel (1 ea)  
Panel Size: 30" x 40"

\*\*\*Poster Insert Size: 26" x 36"  
(or up to 30" x 40" without clear border)

Weight: 20.5 lbs

### KASP-023

**HARDWARE:**

- WM15 - Panel Support (1" Dia. x 1" Length) (6 ea)
- P19W - Screw Set for Wall Mounting (6 ea)
- 38CLIP - 3/8" Clear Clip (2 ea)

**ACCESSORIES:**

- 14ASP-3040/H/D6 - 1/4" Clear Acrylic Back Panel (1 ea)  
Panel Size: 30" x 40"
- 18ASP-3040NG/H/D6 - 1/8" Non-Glare Front Panel (1 ea)  
Panel Size: 30" x 40"

\*\*\*Poster Insert Size: 26" x 36"  
(or up to 30" x 40" without clear border)

Weight: 21.2 lbs

### KASP-024

**HARDWARE:**

- WM15 - Panel Support (1" Dia. x 1" Length) (4 ea)
- P19W - Screw Set for Wall Mounting (4 ea)
- 38CLIP - 3/8" Clear Clip (2 ea)

**ACCESSORIES:**

- 14ASP-3042/H - 1/4" Clear Acrylic Back Panel (1 ea)  
Panel Size: 30" x 42"
- 18ASP-3042NG/H - 1/8" Non-Glare Front Panel (1 ea)  
Panel Size: 30" x 42"

\*\*\*Poster Insert Size: 26" x 38"  
(or up to 30" x 42" without clear border)

Weight: 21.5 lbs

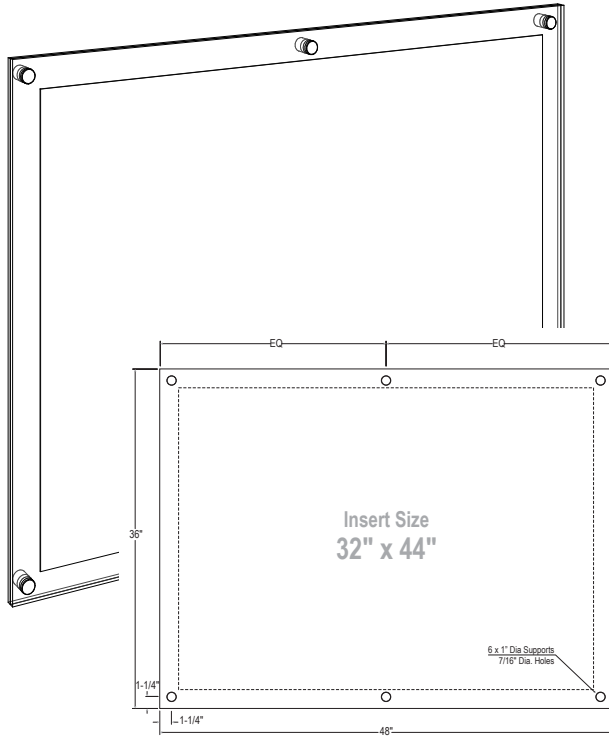


# Classic & Designer Series Sandwich Acrylic Panels

## FRAMELESS POSTER DISPLAY KITS KASP-025 • KASP-027

1/8" Non-Glare  
1/4" Clear

3/8" Thick  
Sandwich Frames  
with Frosted Screen



### KASP-025

**HARDWARE:**

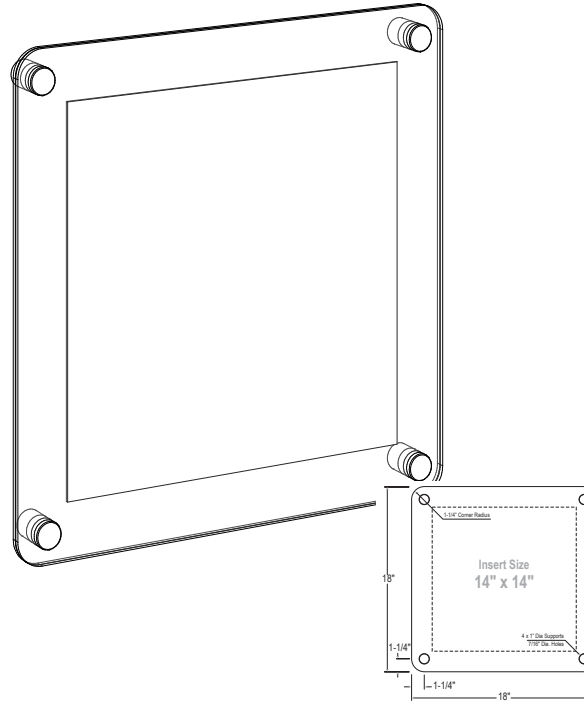
- WM15 - Panel Support (1" Dia. x 1" Length) (6 ea)
- P19W - Screw Set for Wall Mounting (6 ea)
- 38CLIP - 3/8" Clear Clip (2 ea)

**ACCESSORIES:**

- 14ASP-3648/H/D6 - 1/4" Clear Acrylic Back Panel (1 ea)  
Panel Size: 36" x 48"
- 18ASP-3648NG/H/D6 - 1/8" Non-Glare Front Panel (1 ea)  
Panel Size: 36" x 48"

\*\*\*Poster Insert Size: 32" x 44"  
(or up to 36" x 48" without clear border)

Weight: 29.6 lbs



### KASP-026

**HARDWARE:**

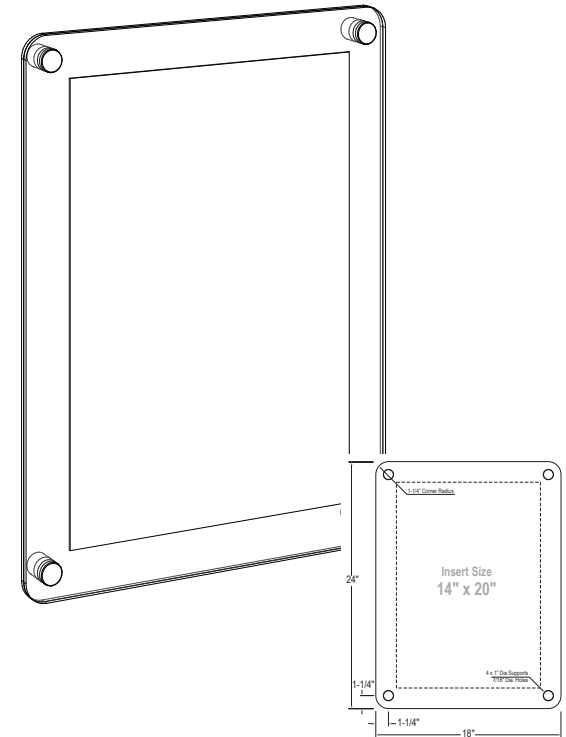
- WM15 - Panel Support (1" Dia. x 1" Length) (4 ea)
- P19W - Screw Set for Wall Mounting (4 ea)

**ACCESSORIES:**

- 14ASP-1818R/H - 1/4" Clear Acrylic Back Panel (1 ea)  
Panel Size: 18" x 18" / 1.25" Radius Corner
- 18ASP-1818NG/R/H - 1/8" Non-Glare Front Panel (1 ea)  
Panel Size: 18" x 18" / 1.25" Radius Corner

\*\*\*Poster Insert Size: 14" x 14"  
(or up to 18" x 18" without clear border)

Weight: 6.3 lbs



### KASP-027

**HARDWARE:**

- WM15 - Panel Support (1" Dia. x 1" Length) (4 ea)
- P19W - Screw Set for Wall Mounting (4 ea)
- 38CLIP - 3/8" Clear Clip (2 ea)

**ACCESSORIES:**

- 14ASP-1824R/H - 1/4" Clear Acrylic Back Panel (1 ea)  
Panel Size: 18" x 24" / 1.25" Radius Corner
- 18ASP-1824NG/R/H - 1/8" Non-Glare Front Panel (1 ea)  
Panel Size: 18" x 24" / 1.25" Radius Corner

\*\*\*Poster Insert Size: 14" x 20"  
(or up to 18" x 24" without clear border)

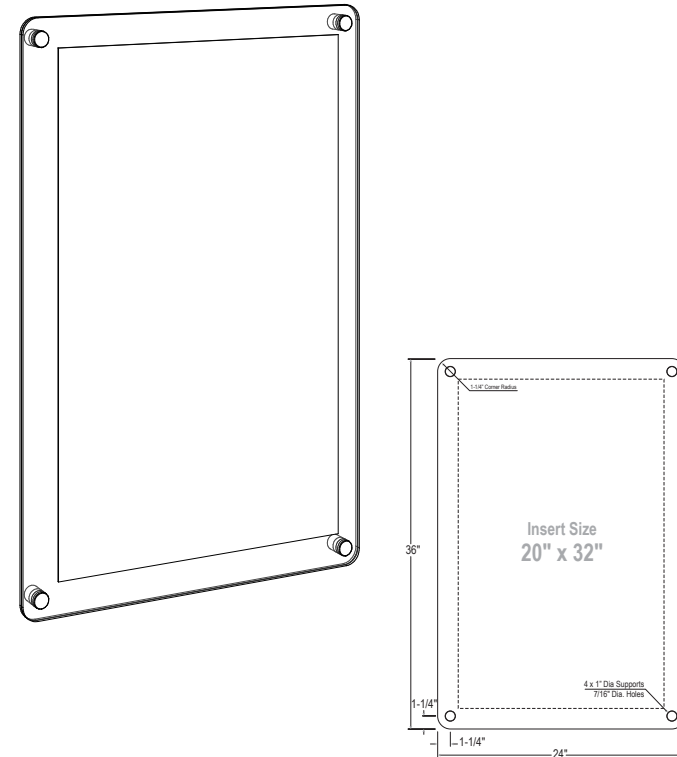
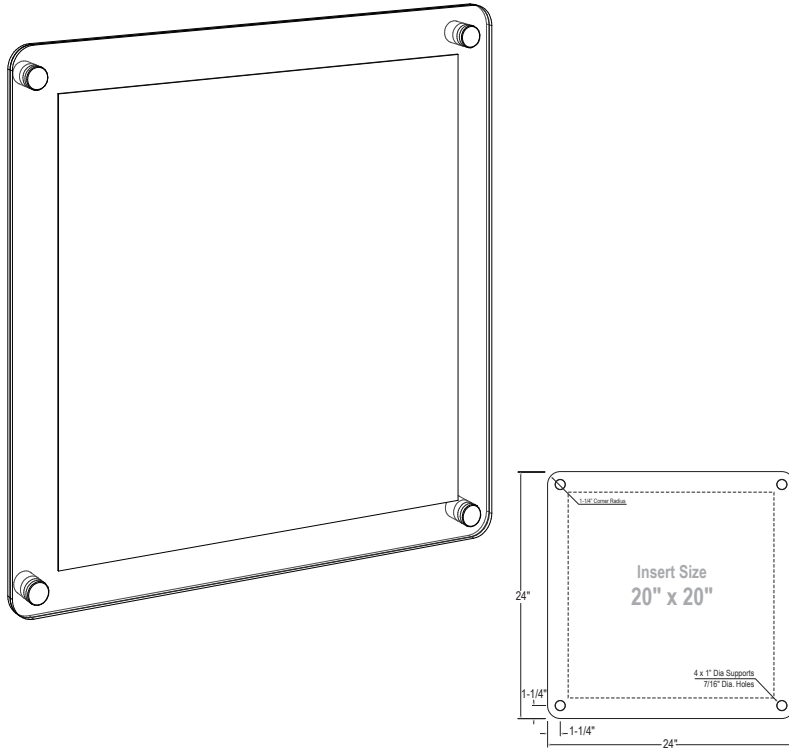
Weight: 8.5 lbs

# Classic & Designer Series Sandwich Acrylic Panels

## FRAMELESS POSTER DISPLAY KITS KASP-028 • KASP-029

1/8" Non-Glare  
1/4" Clear

3/8" Thick  
Sandwich Frames  
with Frosted Screen



### KASP-028

**HARDWARE:**

- WM15 - Panel Support (1" Dia. x 1" Length) (4 ea)
- P19W - Screw Set for Wall Mounting (4 ea)

**ACCESSORIES:**

- 14ASP-2424R/H - 1/4" Clear Acrylic Back Panel (1 ea)  
Panel Size: 24" x 24" / 1.25" Radius Corner
- 18ASP-2424NG/R/H - 1/8" Non-Glare Front Panel (1 ea)  
Panel Size: 24" x 24" / 1.25" Radius Corner

\*\*\*Poster Insert Size: 20" x 20"  
(or up to 24" x 24" without clear border)

Weight: 10.4 lbs

### KASP-029

**HARDWARE:**

- WM15 - Panel Support (1" Dia. x 1" Length) (4 ea)
- P19W - Screw Set for Wall Mounting (4 ea)
- 38CLIP - 3/8" Clear Clip (2 ea)

**ACCESSORIES:**

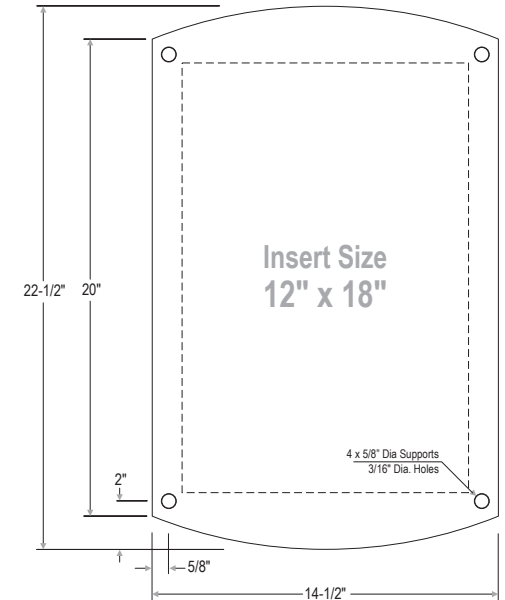
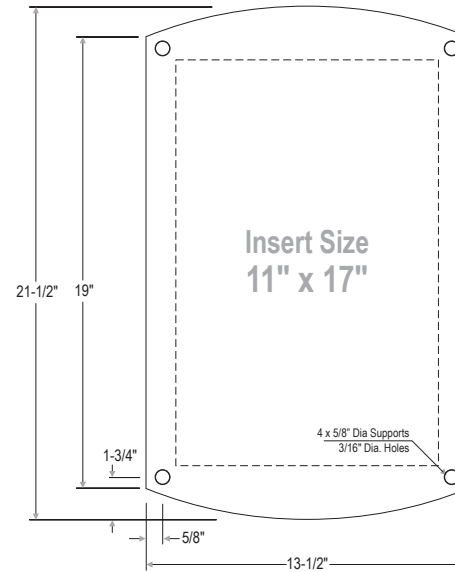
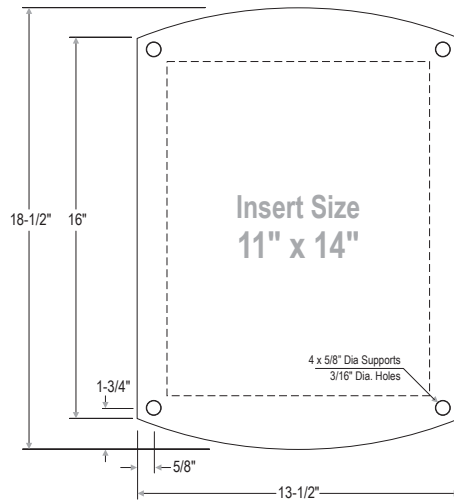
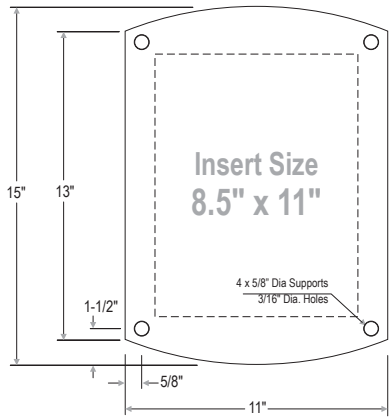
- 14ASP-2436R/H - 1/4" Clear Acrylic Back Panel (1 ea)  
Panel Size: 24" x 36" / 1.25" Radius Corner
- 18ASP-2436NG/R/H - 1/8" Non-Glare Front Panel (1 ea)  
Panel Size: 24" x 36" / 1.25" Radius Corner

\*\*\*Poster Insert Size: 20" x 32"  
(or up to 24" x 36" without clear border)

Weight: 15.1 lbs

# Classic & Designer Series Sandwich Acrylic Panels

## FRAMELESS POSTER DISPLAY KITS KASP-030 • KASP-033



### KASP-030

- HARDWARE:**
- WM05-13 - Panel Support (5/8" Dia. x 1" Length) (4 ea)
  - P19W - Screw Set for Wall Mounting (4 ea)

- ACCESSORIES:**
- 18ASP-2CR-8511/H - 1/8" Clear Acrylic Back Panel (1 ea)  
Panel Size: 11" x 15" / Arched Top & Bottom
  - 18ASP-2CR-8511NG/H - 1/8" Non-Glare Front Panel (1 ea)  
Panel Size: 11" x 15" / Arched Top & Bottom

\*\*\*Poster Insert Size: 8.5" x 11" (Portrait / Landscape)

### KASP-031

- HARDWARE:**
- WM05-13 - Panel Support (5/8" Dia. x 1" Length) (4 ea)
  - P19W - Screw Set for Wall Mounting (4 ea)

- ACCESSORIES:**
- 18ASP-2CR-1114/H - 1/8" Clear Acrylic Back Panel (1 ea)  
Panel Size: 13.5" x 18.5" / Arched Top & Bottom
  - 18ASP-2CR-1114NG/H - 1/8" Non-Glare Front Panel (1 ea)  
Panel Size: 13.5" x 18.5" / Arched Top & Bottom

\*\*\*Poster Insert Size: 11" x 14" (Portrait / Landscape)

### KASP-032

- HARDWARE:**
- WM05-13 - Panel Support (5/8" Dia. x 1" Length) (4 ea)
  - P19W - Screw Set for Wall Mounting (4 ea)

- ACCESSORIES:**
- 18ASP-2CR-1117/H - 1/8" Clear Acrylic Back Panel (1 ea)  
Panel Size: 13.5" x 21.5" / Arched Top & Bottom
  - 18ASP-2CR-1117NG/H - 1/8" Non-Glare Front Panel (1 ea)  
Panel Size: 13.5" x 21.5" / Arched Top & Bottom

\*\*\*Poster Insert Size: 11" x 17" (Portrait / Landscape)

### KASP-033

- HARDWARE:**
- WM05-13 - Panel Support (5/8" Dia. x 1" Length) (4 ea)
  - P19W - Screw Set for Wall Mounting (4 ea)

- ACCESSORIES:**
- 18ASP-2CR-1218/H - 1/8" Clear Acrylic Back Panel (1 ea)  
Panel Size: 14.5" x 22.5" / Arched Top & Bottom
  - 18ASP-2CR-1218NG/H - 1/8" Non-Glare Front Panel (1 ea)  
Panel Size: 14.5" x 22.5" / Arched Top & Bottom

\*\*\*Poster Insert Size: 12" x 18" (Portrait / Landscape)

Weight: 2.1 lbs

Weight: 2.8 lbs

Weight: 3.3 lbs

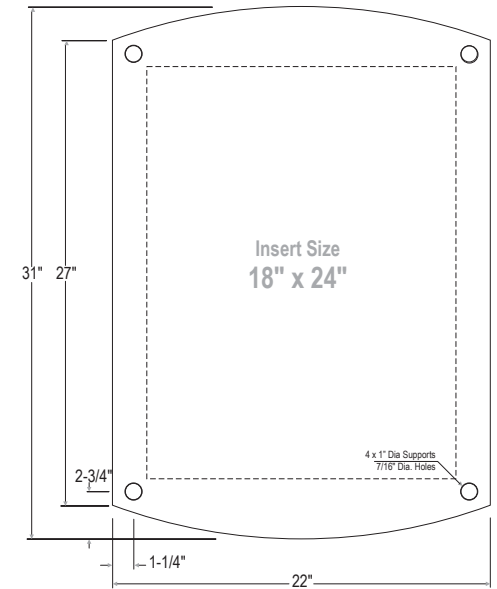
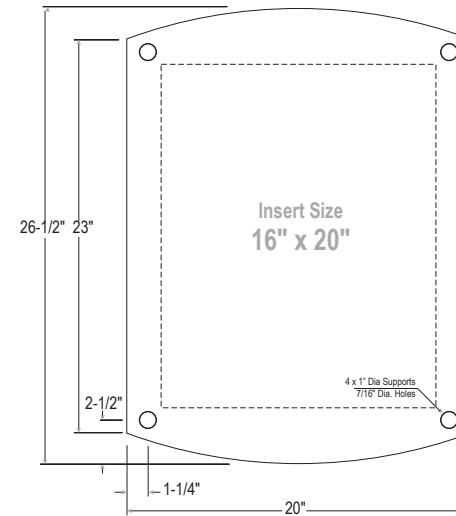
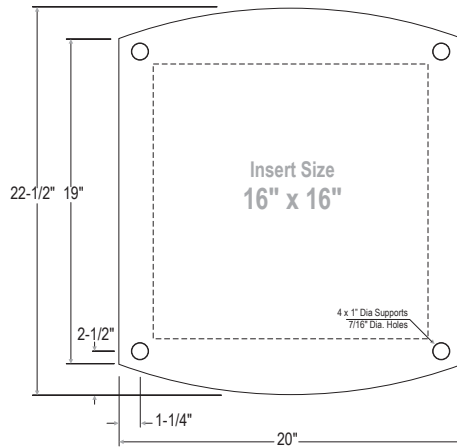
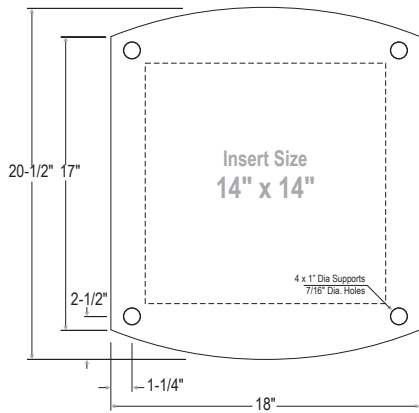
Weight: 3.6 lbs

# Classic & Designer Series Sandwich Acrylic Panels

## FRAMELESS POSTER DISPLAY KITS KASP-034 • KASP-037

1/8" Non-Glare  
1/4" Clear

**3/8" Thick Sandwich Frames with Frosted Screen**



### KASP-034

- HARDWARE:**
- WM15 - Panel Support (1" Dia. x 1" Length) (4 ea)
  - P19W - Screw Set for Wall Mounting (4 ea)

- ACCESSORIES:**
- 14ASP-2CR-1414/H - 1/4" Clear Acrylic Back Panel (1 ea)  
Panel Size: 18" x 20.5" / Arched Top & Bottom
  - 18ASP-2CR-1414NG/H - 1/8" Non-Glare Front Panel (1 ea)  
Panel Size: 18" x 20.5" / Arched Top & Bottom

\*\*\*Poster Insert Size: 14" x 14"

Weight: 6.6 lbs

### KASP-035

- HARDWARE:**
- WM15 - Panel Support (1" Dia. x 1" Length) (4 ea)
  - P19W - Screw Set for Wall Mounting (4 ea)

- ACCESSORIES:**
- 14ASP-2CR-1616/H - 1/4" Clear Acrylic Back Panel (1 ea)  
Panel Size: 20" x 22.5" / Arched Top & Bottom
  - 18ASP-2CR-1616NG/H - 1/8" Non-Glare Front Panel (1 ea)  
Panel Size: 20" x 22.5" / Arched Top & Bottom

\*\*\*Poster Insert Size: 16" x 16"

Weight: 8.4 lbs

### KASP-036

- HARDWARE:**
- WM15 - Panel Support (1" Dia. x 1" Length) (4 ea)
  - P19W - Screw Set for Wall Mounting (4 ea)
  - 38CLIP - 3/8" Clear Clip (2 ea)

- ACCESSORIES:**
- 14ASP-2CR-1620/H - 1/4" Clear Acrylic Back Panel (1 ea)  
Panel Size: 20" x 26.5" / Arched Top & Bottom
  - 18ASP-2CR-1620NG/H - 1/8" Non-Glare Front Panel (1 ea)  
Panel Size: 20" x 26.5" / Arched Top & Bottom

\*\*\*Poster Insert Size: 16" x 20"

Weight: 10.2 lbs

### KASP-037

- HARDWARE:**
- WM15 - Panel Support (1" Dia. x 1" Length) (4 ea)
  - P19W - Screw Set for Wall Mounting (4 ea)
  - 38CLIP - 3/8" Clear Clip (2 ea)

- ACCESSORIES:**
- 14ASP-2CR-1824/H - 1/4" Clear Acrylic Back Panel (1 ea)  
Panel Size: 22" x 31" / Arched Top & Bottom
  - 18ASP-2CR-1824NG/H - 1/8" Non-Glare Front Panel (1 ea)  
Panel Size: 22" x 31" / Arched Top & Bottom

\*\*\*Poster Insert Size: 18" x 24"

Weight: 11 lbs